



HyGROMATIK®

FlexLine

Electric Heater Steam Humidifiers



Manual



FLH.EN
E-8881164

Certain computer programs contained in this product [or device] were developed by HygroMatik GmbH ("the Work(s)").

Copyright © HygroMatik GmbH [28.03.2023]

FlexLine FLH 03/06/09/15/25/30/40/50/80/100 EN

All Rights reserved.

Current version of this manual can be found at: www.hygromatik.co.uk

HygroMatik GmbH grants the legal user of this product [or device] the right to use the Work(s) solely within the scope of the legitimate operation of the product [or device]. No other right is granted under this licence. In particular and without prejudice to the generality of the foregoing, the Work(s) may not be used, sold, licensed, transferred, copied or reproduced in whole or in part or in any manner or form other than as expressly granted here without the prior written consent of HygroMatik GmbH.

Information in this manual is subject to change or alteration without prior notice.

 WARNING**Risk of electrical shock!**

Hazardous electrical high voltage!

All electrical work to be performed by certified expert staff (electricians or expert personnel with equivalent training) only.

1. Introduction	5
1.1 Typographic Distinctions	5
1.2 Documentation	5
1.3 Symbols in Use	5
1.3.1 Specific Symbols related to Safety Instructions	5
1.3.2 General Symbols	5
1.4 Intended Use	6
2. Safety Instructions	7
2.1 Guidelines for Safe Operation	7
2.1.1 Scope	7
2.1.2 Unit control	7
2.1.3 Unit Operation	7
2.1.4 Mounting, dismantling, maintenance and repair of the unit	8
2.1.5 Electrical	8
3. Transport	9
3.1 Packing	9
3.2 Interim Storage	9
3.3 Check for Complete and Correct Delivery of Goods	9
4. Functional Description and Device Composition	10
4.1 Mode of Action	10
4.2 Operational sequence	11
4.3 Internal Output Setting	11
4.4 Mechanical Construction	11
5. Mechanical installation	12
5.1 Environment Parameters to be met and Mounting Recommendations	12
5.1.1 Dimensions and Mounting Directions	13
5.2 Unit Installation Check	15
5.3 Steam line and condensate hose layout	16
5.3.1 Guide lines for steam line design	16
5.3.2 Condensate hose layout	16
5.3.3 Steam line and condensate hose installation types	17
5.4 Steam Manifold	18
5.4.1 General installation guidelines	18
5.4.2 Recommendations for dimensioning	19
5.5 Absorption Distance BN	21
5.5.1 Determining the Absorption Distance	21
5.5.2 Absorption Distance Nomogram	22
6. Water connection	23
6.1 Feed water quality	23
6.2 Operation with softened water	24
6.3 Water supply	24
6.4 Water discharge	25
6.5 Water connections final check	26

7. Electrical connection	27
7.1 Electrical installation approach	27
7.2 Cable connections	28
7.3 Safety interlock	28
7.4 Connection diagram	29
7.5 Electrical installation check list	29
8. Commissioning	30
9. Maintenance	31
9.1 General	31
9.1.1 Service messages	31
9.1.2 Service messages for preventive maintenance	31
9.2 Safety instructions for maintenance	32
9.3 Maintenance frame work when unit is operated with fully demin. water and condensate .	33
9.4 Maintenance when unit is operated with tap water or partially softened water	33
9.5 Removal and reinstallation of the steam cylinder	34
9.5.1 Removal of the steam cylinder	34
9.5.2 Cylinder cleaning / O-ring replacement	35
9.5.3 Cleaning the connecting hoses, base connections, fine filter and drain pump	36
9.5.4 Level control device cleaning	37
9.5.5 Cleaning the vent hole on the pipe elbow	37
9.5.6 Reinstallation of the steam cylinder	38
9.6 Removal and installation of unit components	39
9.6.1 Blow-down pump (removal, cleaning, reinstallation)	39
9.6.2 Solenoid valve (removal, reinstallation)	40
9.6.3 Heater element replacement	41
9.6.4 Thermo switch replacement (for heater elements)	41
9.6.5 Releasing a thermo switch that has triggered	42
9.6.6 Inspection of wiring connections and heater element wiring	42
9.7 Leak test	43
9.8 Functional check	43
9.9 Finishing maintenance	43
10. Dismantling	44
11. Declaration of Conformity	45
12. Spare Parts	46
13. Technical specifications	52
14. Exploded view	54
15. View of housing	55

1. Introduction

Dear Customer,

Thank you for choosing a HygroMatik steam humidifier.

HygroMatik steam humidifiers represent the latest in humidification technology.

In order to operate your HygroMatik steam humidifier safely, properly and efficiently, please read these operating instructions.

Employ your steam humidifier only in sound condition and as directed. Consider potential hazards and safety issues and follow all the recommendations in these instructions.

If you have additional questions, please contact your expert dealer.

For all technical questions or spare parts orders, please be prepared to provide unit type and serial number (see name plate on the unit).

1.1 Typographic Distinctions

- preceded by a bullet: general specifications
- » preceded by an arrow: Procedures for servicing or maintenance which should or must be performed in the indicated order
- ☑ Installation step which must be checked off.

italics Terms used with graphics or drawings

1.2 Documentation

Please note

In addition to this manual, the appropriate FlexLine Control documentation is mandatory for the operation of the unit. This is not applicable to StandardLine devices, here the documentation of the controller is included in the operation manual.

Retention

Please retain these operating instructions in a secure, always accessible location. If the product is resold, turn the documentation over to the new operator. If the documentation is lost, please contact HygroMatik.

Versions in Other Languages

These operating instructions are available in several languages. If interested, please contact HygroMatik or your HygroMatik dealer.

1.3 Symbols in Use

1.3.1 Specific Symbols related to Safety Instructions

According to EN 82079-1 (and ANSI Z535.6), the following signal words are used within this document:

▲ DANGER

DANGER indicates a hazardous situation which, if not avoided, will result in death or serious injury.

▲ WARNING

WARNING indicates a hazardous situation which, if not avoided, could result in death or serious injury.

▲ CAUTION

CAUTION indicates a hazardous situation which, if not avoided, could result in minor or moderate injury.

NOTICE

NOTICE is used to address practices not related to physical injury.

1.3.2 General Symbols

Please note

This symbol is used whenever a situation requires special attention beyond the scope of safety instructions.

1.4 Intended Use

HygroMatik electric heater steam humidifiers serve for steam production based on tap water, partially softened water or fully desalinated water/cleaned condensate.

Proper usage also comprises the adherence to the conditions specified by HygroMatik for:

- installation
- dismantling
- reassembly
- commissioning
- operation
- maintenance
- disposal.

Only qualified personnel may operate the unit. Persons transporting or working on the unit must have read and understood the corresponding parts of the Operation and Maintenance Instructions and especially the chapter 2. „Safety Notes“.

Additionally, operating personnel must be informed of any possible dangers by the provider. A copy of this manual is to be placed at the unit's operational location.

By construction, HygroMatik steam humidifiers are not qualified for exterior application.

▲ WARNING

Risk of scalding!

Steam with a temperature of up to 100 °C (212 °F) is produced.

Do not inhale steam directly!

2. Safety Instructions

These safety instructions are required by law. They promote workplace safety and accident prevention.

2.1 Guidelines for Safe Operation

2.1.1 Scope

Comply with the accident prevention regulation „DGUV Regulation 3“ to prevent injury to yourself and others. Beyond that, national regulations apply without restrictions. This way you can protect yourself and others from harm.

2.1.2 Unit control

Do not perform any work which compromises the safety of the unit. Obey all safety instructions and warnings present on the unit.

In case of a malfunction or electrical power disruption, switch off the unit immediately and prevent a restart. Repair malfunctions promptly.

⚠ WARNING

Restricted use.

IEC 60335-1 stipulates as follows:

This device may be used by children of eight years of age and above as well as by persons with reduced physical, sensory or mental capabilities or lack of experience and knowledge so long as they are supervised or have been instructed regarding the safe use of the device and understand the hazards that may result from it. Cleaning and user maintenance of the unit must not be undertaken by children without supervision.

The following applies to the HygroMatik installation kits:

Please note

Ensure that the system/machine in which the HygroMatik installation kit will be installed fully complies with the provisions of the directives (2006/42/EC) and the EMC directive 2014/30/EU and that all safety-relevant functions have been implemented in the control system.

2.1.3 Unit Operation

⚠ WARNING

Risk of scalding!

Uncontrolled hot steam escape in case of leaking or defective components possible. Switch off unit immediately.

⚠ WARNING

For Ministeam devices applies:

Risk of scalding!

No persons may be under the cloud of steam blowing out (at a distance of approx. 1 m/40 inch in the direction of blowing out and 0.5 m/20 inch on both sides of the device).

NOTICE

Risk of material damage!

- The unit may be damaged if switched on repeatedly following a malfunction without prior repair. Rectify defects immediately!
- The unit must not be operated on a DC power supply.
- The unit may only be used connected to a steam pipe that safely transports the steam (not valid for MiniSteam units).
- Regularly check that all safety and monitoring devices are functioning normally. Do not remove or disable safety devices.
- Steam operation is only allowed when the unit cover is closed.

NOTICE

Water leaks caused by defective connections or malfunctions are possible.

Water is constantly and automatically filled and drained in the humidifier. Connections and water-carrying components must be checked regularly for correct operation.

2.1.4 Mounting, dismantling, maintenance and repair of the unit

NOTICE

The HygroMatik steam humidifier is IP20 protected. Make sure that the unit is not object to dripping water in the mounting location.

Installing a humidifier in a room without water discharge requires safety devices to protect against water leakages.

- Use genuine spare parts only
- After any repair work, have qualified personnel check the safe operation of the unit
- Attaching or installing of **additional components** is permitted only with the **written consent** of the manufacturer

NOTICE

Do not install HygroMatik steam generators above electrical equipment such as fuse boxes, electrical appliances, etc. In the case of a leakage, leaking water can damage the underlying electrical equipment

2.1.5 Electrical

⚠WARNING

Risk of electrical shock!

Hazardous electrical voltage!

Any work on the electrical system to be performed by certified expert staff (electricians or expert personnel with comparable training) only.

Steam operation may only be started when the unit cover is closed.

During maintenance or installation work, the device must be disconnected from the power supply and secured against being switched on again. The absence of voltage must be ensured by a measurement.

Leaks can cause leakage currents. Observe safety regulations on working with voltage parts (applies to electrode steam humidifies).

After electrical installation or repair work, test all safety mechanisms (such as grounding resistance).

NOTICE

Use only original fuses with the appropriate amperage rating.

Regularly check the unit's electrical equipment. Promptly repair any damage such as loose connections or burned wiring.

Responsibility for intrinsically safe installation of the HygroMatik steam humidifiers is incumbent on the installing specialist company.

3. Transport

Please note

Proceed carefully when transporting the steam humidifier in order to prevent damage due to stress or careless loading and unloading.

3.1 Packing

Please note

Pay attention to the icons affixed to the packing box.

3.2 Interim Storage

Store the unit in a dry place and protect from frost and strong sunlight.

3.3 Check for Complete and Correct Delivery of Goods

Upon receipt of the unit, confirm that:

- model and serial number on the name plate match those specified in the order and delivery documents
- the equipment is complete and all parts are in perfect condition

Please note

In case of damage from shipment and/or missing parts, immediately notify the carrier or supplier in writing.

Time limits for filing freight claims with shipping companies are*:

Shipping company	After receipt of goods
Carriers	no later than 4 days
Parcel service	immediately

* Time limits for some services subject to change.

4. Functional Description and Device Composition

4.1 Mode of Action

The immersion heater principle

Depending on the output rating, one, three or six heater elements are arranged within a closed cylinder. The FlexLine humidifiers FLH80 and FLH100 combine two steam cylinders in one housing.

Exemplary given, the figure below shows the heater element and other main components of a FlexLine steam generator model with one steam cylinder.

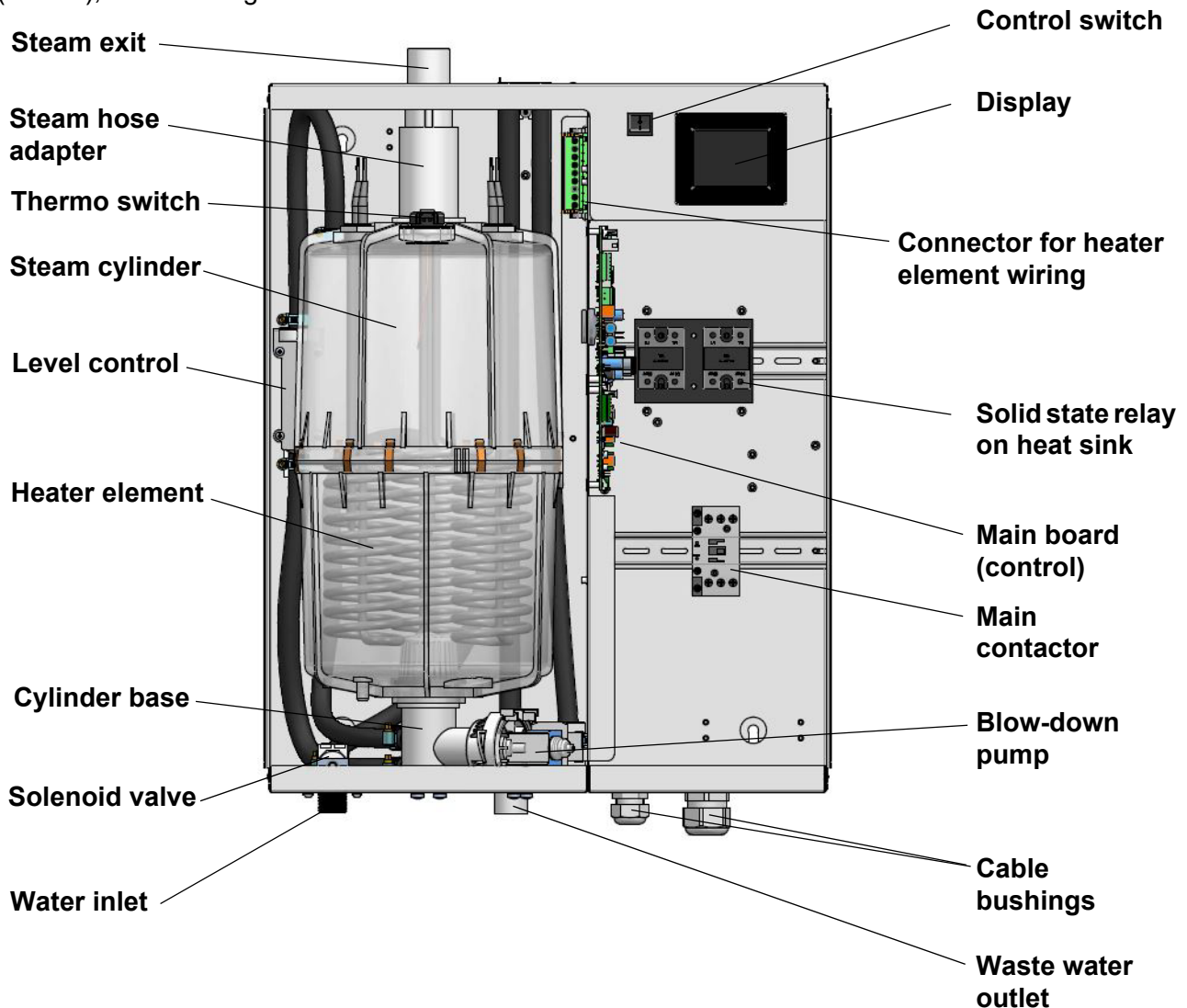
The cylinder(s) are filled with either tap water of varying quality, fully desalinated water or partially softened water.

The heat introduced by the heater elements heats up the cylinderwater to approx. 100 °C (212 °F), transforming the water into steam

with a temperature of approx. 100 °C (212 °F) This steam is virtually mineral-free and germ-free.

When fully desalinated water is used, the cylinder water is almost totally clear of minerals. This situation guarantees a long lifetime of the cylinder(s) and the heater element(s), since virtually no hardeners will fall-out and no mineral deposits will occur. Such, the number of inspections and/or maintenance operations required will be reduced to a minimum.

When tap water is used for operation, some of the minerals dissolved in the water are likely to settle in the cylinder in form of solids of various compositions. However, most of the solids are flushed out by cyclic blow-down with the help of a heavy-duty blow-down pump.



4.2 Operational sequence

The steam humidifier is switched on by pressing the control switch on the front panel to the „I“ position. If the safety chain is closed, the inlet solenoid valve (25)^{*} opens and water is fed into the steam cylinder.

Filling level in the cylinder is controlled by a level control device (27)^{*}. In a plastic cylinder, connected to the steam cylinder via hoses in the way communicating tubes are connected, a sensor for continuous proportional water level survey is located.

The cylinder water is periodically blown down. For usage of the unit with fully desalinated water, the blow-down function may be blocked.

Water blow-down is achieved by means of the blow-down pump (32)^{*} that is continuously monitored during unit operation. In case of pump disruption, the HygroMatik steam humidifier is shut off.

With normal water quality, blow-down loss is in the range of 7 to 15% of the steam amount produced. Depending on water quality, a full steam cylinder blow-down is run every 3 to 8 days.

Mineral deposits settle in the open area below the heater element(s) and are removed through periodic maintenance. The blow-down pump itself has wide openings and can flush out smaller pieces of mineral deposit. This extends the service life of the unit and reduces the required maintenance interval.

On blow-down, water flows from the pump into the drain hose system.

For maintenance purposes, the cylinder water may be pumped out by pressing and holding the control switch in the „II“ position.

^{*}) numbers indicated correspond with those in the exploded view in the „Exploded view“ chapter.

4.3 Internal Output Setting

Continuous control is achieved by proportional driving (pulse width modulation) of one of the heater elements and phased addition of further elements. In this way the humidifier can be proportionally operated across the entire output range of 5% - 100% of the nominal capacity.

A power setting of 0% to 5% of the nominal output is possible, but not technically feasible due to condensate losses in the steam line.

4.4 Mechanical Construction

The HygroMatik FLP series units feature a stainless steel steam cylinder and - as an ordering option - a fourfold solenoid valve for the exceedingly precise steam control.

The type of housing is designed for wall mounting.

5. Mechanical installation

▲ WARNING

Risk of foot injuries!

Prevent unit from dropping during installation! Helping hand of a second person is advisable.

▲ WARNING

Risk of electrical shock!

Hazardous electrical voltage. During installation, the unit must be disconnected from power supply and secured against being switched on again. The absence of voltage must be ensured by a measurement.

5.1 Environment Parameters to be met and Mounting Recommendations

When selecting the installation site for the steam humidifier, take the following into account:

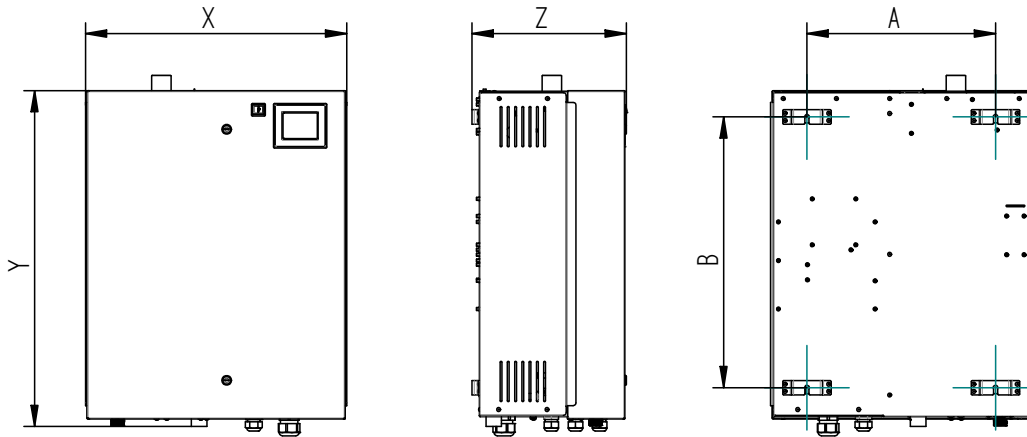
- The minimum clearances indicated in the fitting measures section must be observed in order to ensure adequate unit ventilation and allow for unobstructed access in case of maintenance
- Protection class IP20
- By design, HygroMatik steam humidifiers are not qualified for outdoor installation (electrical components and water-bearing parts may be damaged)
- Ambient temperature must lie between +5 and +40 °C (+41 and +104 °F) in order to protect the unit electronics against damage; frost may damage the steam cylinder, the solenoid valve and pump, as well as make hoses burst
- Relative humidity must not exceed 80 % r.h., since values beyond may lead to electronic malfunction or damage

- Installation in a closed room requires aeration and, eventually, temperature conditioning in order to meet the a.m. environmental conditions
- The steam humidifier should be installed as close as possible to the steam manifold. Optimum performance is only guaranteed when steam and condensate hoses are kept short
- Make use of existing water connections for supply and draining
- Hoses must be laid at a consistent 5 to 10 % incline/decline; sagging and kinking prevention is a must
- Mount the unit on a stable, preferably solid wall offering the bearing capacity required (s. unit technical specifications). If such a wall is not at hand, the unit may be attached to a stand bracket firmly bolted to the floor
- For proper functioning of the level control, plumb and level installation of the unit is required
- The steam humidifier rear panel heats up during operation to a maximum of 70 °C (158 °F). Take care that the construction on which the unit is to be mounted is not made of temperature-sensitive material

5.1.1 Dimensions and Mounting Directions

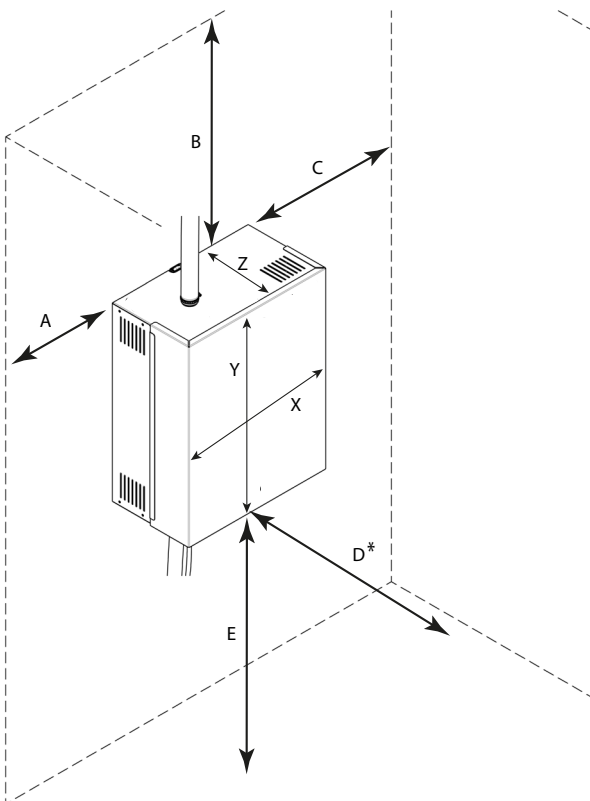
Table of dimensions

Model	X [mm/inch]	Y [mm/inch]	Z [mm/inch]	A [mm/inch]	B [mm/inch]
FLH03-FLH09*	460/~18.1	535/~21	320/~12.6	310/~12.2	400/~15.7
FLH15-FLH25	540/~21.3	695/~27.4	320/~12.6	390/~15.4	560/~22
FLH30-FLH50	640/~25	785/~30.9	420/~16.5	490/~19.3	650/~25.6
FLH80-FLH100	1170/~46	785/~30.9	420/~16.5	1000/~39.4	660/~25.6



* Units with production date January 2022 and earlier: X:540 / A:390

Detailed measurements under <https://www.hygromatik.com/files/pdf/hygromatik-flexline-dimensionsv13.pdf> .
3D models under <https://www.hygromatik.com/en/downloads>



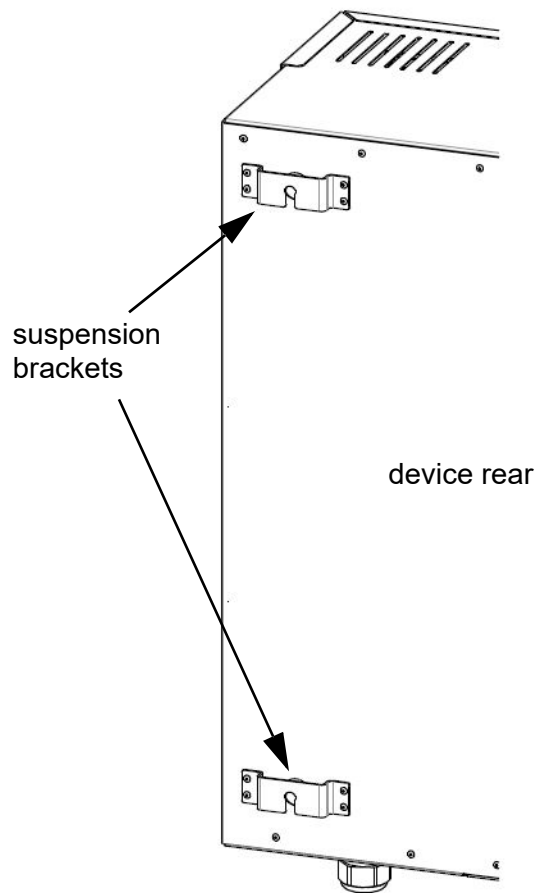
Wall clearances

When mounting the steam humidifier, the wall clearances shown in the fig. below must be obeyed::

A	5 cm / 2,0 inch
B	50 cm / 19,7 inch
C	20 cm / 7,8 inch
D	60 cm / 23,6 inch
E	30 cm / 11,8 inch

* distance to designated paths

Mounting principle



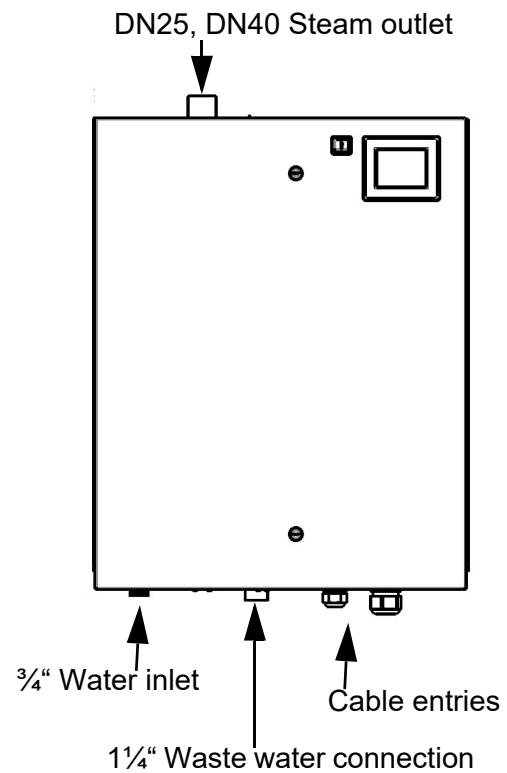
For wall mounting drill measures, please consult the table above (measure A). In case of no suitable wall available for mounting the unit, it is recommended that installation is made on brackets firmly anchored in the floor.

- » mark the holes for the upper suspension brackets screws
- » drill holes and dowel
- » screw in the supplied mounting screws; let the screws protrude approx. 12 mm/.5 inch from wall
- » ensure firm fixation and load-carrying capacity of the mounted screws!
- » hook in the unit and ensure safe suspension
- » mark the holes for the lower suspension brackets screws
- » remove the unit
- » drill holes and dowel
- » hook in the unit and mount the lower screws firmly

Please note

- To function properly, the steam humidifier must hang level and plumb.
- When choosing the installation location, consider the necessary distance between the unit and existing designated paths. This should be at least 60 cm.
- The mounting wall must be made of a temperature-resistant material, as the enclosure can heat up to 70°C

Device connections:



5.2 Unit Installation Check

Before start-up, pls. check proper unit installation following the list below:

- Unit perpendicularly aligned in both the vertical and horizontal axis ?
- All clearances obeyed?
- Steam hose installed with a 5 - 10 % minimum incline/decline (see chapter "Steam line") ?
- Condensate hose features a loop functioning as a steam barrier (see chapter „Condensate hose“) ?
- Steam manifold(s) properly positioned?
- All bolts and clamps properly tightened?
- Steam manifold(s) horizontally mounted and suspended on the free end, if required ?
- All seals (o-rings) in place?
- All ventilation slots on housing top unobscured?

5.3 Steam line and condensate hose layout

Please note

Because of the high requirements on hose material under the operating conditions given, it is recommended to use genuine HygroMatik hoses only.

5.3.1 Guide lines for steam line design

- Steam hose nominal diameter must not be smaller than the steam outlet of the HygroMatik steam humidifier (do not restrict the cross-section, otherwise back pressure will increase)
- Steam hoses must be laid without sags and kinks and with a continuous slope of 5-10% (otherwise sags may result).
- Steam hoses must be supported every 500 mm (20 inches) by clamp brackets
- Steam hoses should be kept as short as possible. Implement lengths beyond 5 m (16 ft.) as insulated fixed piping to keep energy loss and condensate generation to a minimum. Beyond 10 m (32 ft.) insulated installation is a must. Fixed piping is generally recommended for straight steam line segments
- When 2 steam manifolds are in use (other than with a standard implementation), place steam Y piece as close as possible to the steam manifolds. Such, for the main part of the piping just one steam hose is required and condensate loss is minimized
- Allow easy access to the steam pipe/ steam hose installation
- Pressure conditions within the duct are influenced by device steam output, steam line layout and the duct composition itself. In some rare situations it may become necessary to optimize steam line layout for achieving the results intended
- Respect minimum bending radii:
 DN 25 Steam hose: $R_{min} = 200 \text{ mm}/8''$
 DN 40 Steam hose: $R_{min} = 400 \text{ mm}/16''$

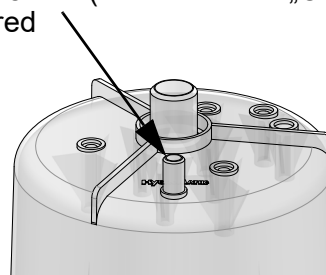
5.3.2 Condensate hose layout (only for electrode steam humidifiers)

The condensate hose may be run from the steam manifold back to the steam cylinder, as depicted in the schematic drawing below with concern to installation type 1. Alternatively, the condensate hose may be fed directly in a wastewater pipe or a drain (s. installation type 2).

Please note

Should condensate return into the steam cylinder be intended, the connection stub on the cylinder upper part must be drilled out first with a ANSI drill size „O“ drill. To do so, the steam cylinder must be removed from the housing (s. maintenance chapter, section „Steam cylinder removal and reinstallation“). In case of a console instead of a housing, the cylinder is to be lifted off the cylinder base for drilling the stub or may even remain in place.

Drill out condensate hose connection stub with an 8 mm (ANSI drill size „O“) drill, if required



Steam cylinder top view

For heater element humidifiers:

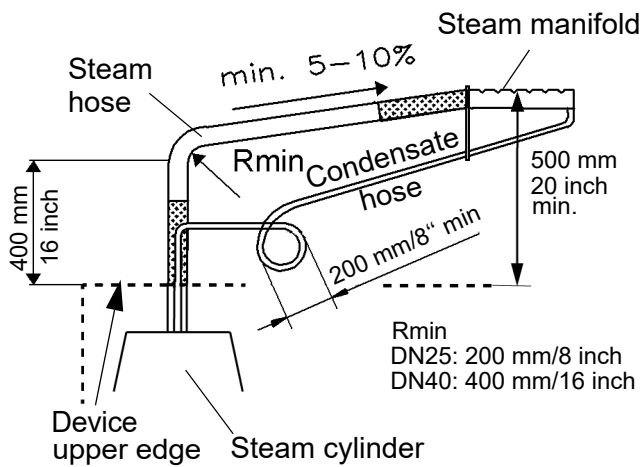
If condensate return is necessary, please contact the HygroMatik hotline.

5.3.3 Steam line and condensate hose installation types

Installation type 1

Steam manifold is positioned more than 500 mm above device upper edge:

- » Run steam hose to a height of 400 mm/16 inch minimum above the steam humidifier and then to the steam manifold with a continuous incline of 5 to 10 %.
- » Feed condensate hose from steam manifold with a decline into waste-water pipe or drain.
- » As a steam barrier, lay out a 200 mm/8 inch min. loop (s. schematic representation below). Minimum distance from steam manifold to loop must be 500 mm/20 inch. Fill loop with water prior to steam humidifier commissioning.



**Installation type 1,
schematic representation**

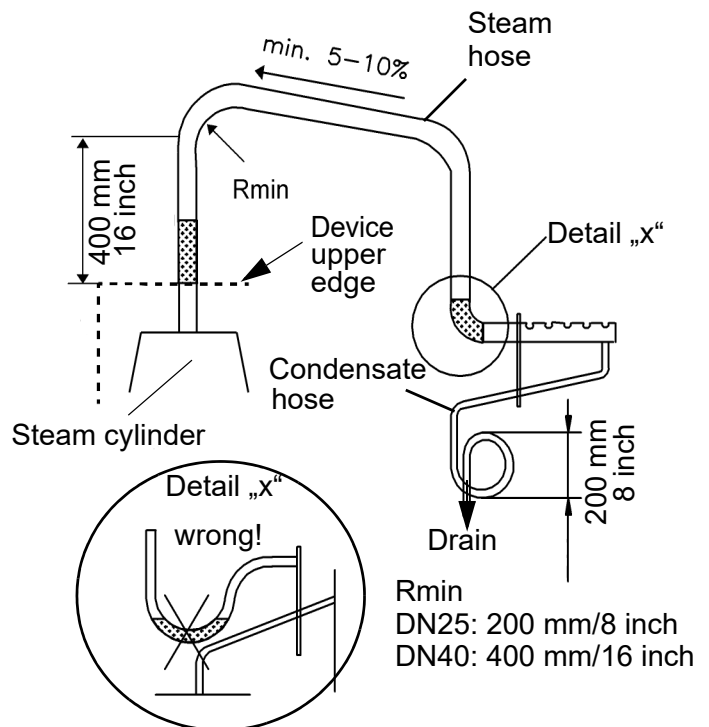
Installation type 2

Steam manifold is positioned less than 500 mm above or below device upper edge:

Please note

In this arrangement the condensate hose cannot be fed back to the steam humidifier.

- » Run steam hose to a height of 400 mm/16 mm minimum above the steam humidifier and then to the steam manifold with a continuous decline of 5 to 10 %.
- » Feed condensate hose to a waste-water pipe/drain with a 200 mm/8 inch diameter loop as a steam barrier. Minimum distance from steam manifold to loop must be 500 mm/20 inch. Fill loop with water.



**Installation type 2,
schematic representation**

5.4 Steam Manifold

5.4.1 General installation guidelines

When installing steam manifolds, pls. follow these guidelines:

Positioning within duct

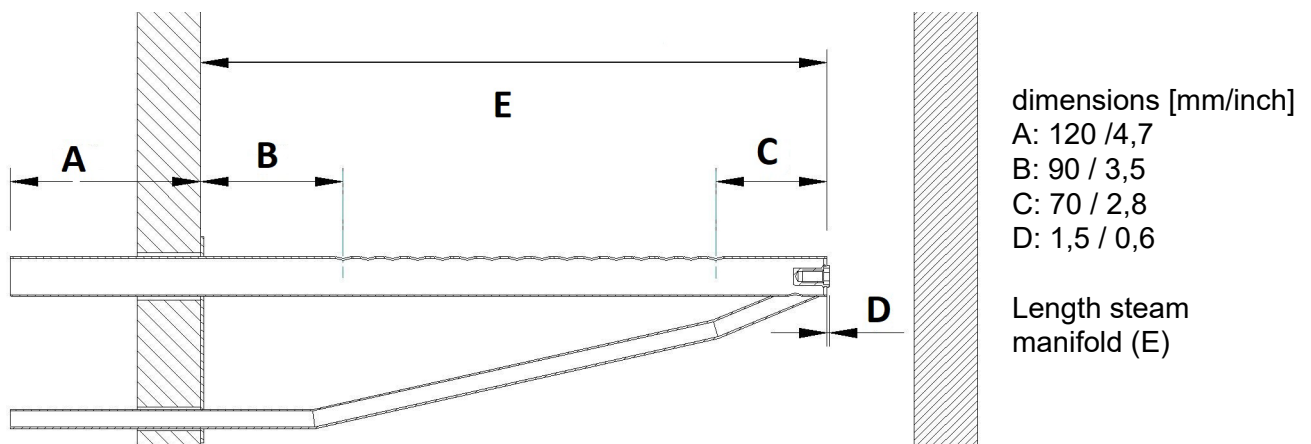
- Install the steam manifold as close as possible to the steam humidifier in order to minimize steam loss through condensation.
- Steam manifold placement on the supply side of the air duct is preferable.
- Install steam manifold strictly horizontal in order to ensure proper condensate drain.
- A minimum distance of 0.3 m in the direction of the air flow in front of the steam manifold(s) must be maintained to other installations.

Allowable pressures

- Max. allowable pressure in air duct is 1500 Pa/.218 PSI (exemption: SLE02, SLH02, KIT E02 and KIT H02 only allow for 1200 Pa/.174 PSI)
- On suction side, max. -500 Pa (.07 PSI) is tolerable
- With high-pressure air conditioning systems, modifications of the unit's drain hose system may possibly be required depending on the overall pressure situation. These modifications must be **coordinated with your expert dealer.**

Water drain

- We point out that according to the German Association of engineers (VDI) guideline VDI 6022, a water drain must be provided within the absorption distance inside the air duct



Please note

The length of the steam manifold connection piece is constant and always increases the total length of the steam manifold by exactly 120 mm.

Example: The total length of a 600 steam distributor is 720 mm.

Standard manifold dimensions [mm]/[inch]*:**

220/	400/	600/	900/	1200/	1450/
8.7	15.7	23.6	35.4	47.2	57.1

*** Special lengths on demand.

Number and size of the steam manifolds available as well as the nominal diameter of the respective steam and condensate hoses may be taken from the tables shown in chapter „Technical Data“.

5.4.2 Recommendations for dimensioning

The recommendations given below are based on homogenous air flow in the duct.

Please note

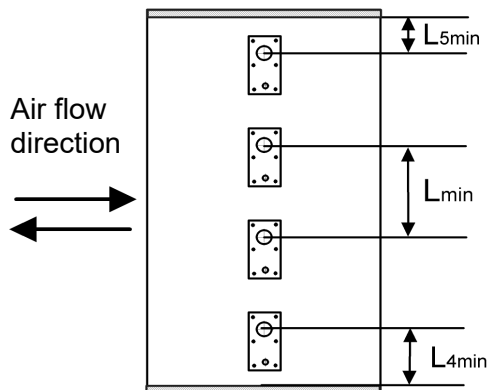
Start by arranging the steam distributors in the lower third of the air-conditioning duct (as low as possible, observing the minimum distances).

Minimum distance for condensation avoidance:

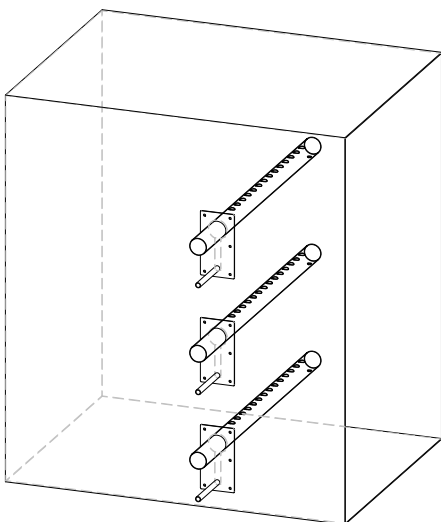
L_{min} = 210mm/8.3 inch: „Steam manifold - Next steam manifold“ distance

L_{4min} = 120mm/4.7 inch: „Lowest steam manifold - Duct bottom plane“ distance

L_{5min} = 120mm/4.7 inch: „Highest steam manifold - Duct ceiling plane“ distance



Standard steam manifold arrangement:



Steam manifold arrangement for special air duct shapings:

Height of the air-conditioning duct is too flat for the number of steam distributors:

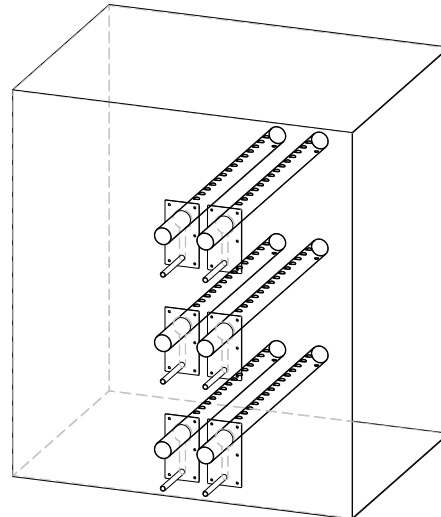


Fig: parallel arrangement of the steam distributors

Narrow, high air duct:

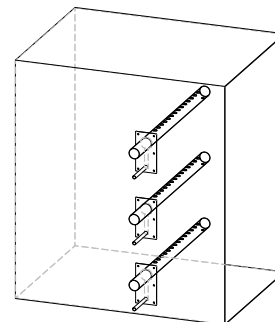


Fig: vertical arrangement of the steam distributors

Flat air duct

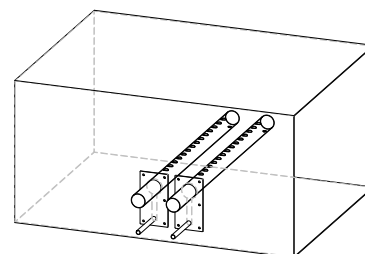


Fig: parallel arrangement of the steam distributors

NOTICE

If several steam distributors are fed from one manifold, make sure that the flow velocity of max. 12 m/s is not exceeded.

Example: 4xDN 40 pipes (120 kg/hour) require at least 1x DN 76 manifold.

NOTICE

When using several steam humidifiers on one manifold, ensure (constructively, e.g. by means of a shut-off valve) that no steam is forced into switched-off steam humidifiers during steam production.

Connection of the steam distributors / steam accesses

The distance of the steam distributors to subsequent obstacles (if their placement behind the steam distributor is unavoidable) such as filters depends on the humidification distance and is described in more detail on the following pages.

5.5 Absorption Distance B_N

The "absorption distance" (B_N) is defined as the distance from the steam feed to where the steam is completely absorbed in the treated air. Within the absorption distance, steam is visible as mist in the air stream.

Condensation may occur on anything installed within the absorption distance.

Although steam outside the absorption distance (B_N) is completely absorbed, it is not yet evenly diffused in the duct. If you plan to install any parts or devices inside the absorption distance, such as sensors or elbows, we recommend increasing the absorption distance using the formulae below. The absorption distances required for certain installed fittings are distinguished by separate symbols and calculated as a multiplier of the absorption distance B_N .

Absorption Distance	
B_N	for normal obstructions such as sensors, ventilators, outlets
$B_C = (1.5...2) \times B_N$	for fine filters, heat registers
$B_S = (2.5...3) \times B_N$	for particle filters
$B_d = (3...5) \times B_N$	for humidity sensors, duct humidistats

The absorption distance has no fixed value, but depends on many factors. These are depicted in the absorption distance nomogram below.

5.5.1 Determining the Absorption Distance

To determine the absorption distance, the following parameters are required:

- Air humidity before humidification x_1 in g/kg
- Air temperature after humidification t_2 in °C (with steam humidifiers the change in air temperature due to humidification may be disregarded t_1 or t_2)
- Specific increase in humidity Δx in g/kg (can be determined in the h,x diagram)
- quantity of steam introduced $\overset{o}{m}_D$ in kg/h.
- air speed w_L in m/s in air duct
- Total length l_D of the steam manifold installed in the air duct

Length l_D of the usable steam manifold depends on the dimensions of the air duct. The length of the absorption distance can be reduced by using multiple steam manifolds (also see section on the steam manifold).

Method:

Graphically determine absorption distance B_N using the absorption distance nomogram (also see Section „Absorption Distance Nomogramm“). Enter the value of the parameters enumerated above into the respective quadrants. The resulting point of intersection indicates the value of the desired absorption distance B_N .

Notes:

Air humidity before humidification x_1 :.....[g/kg]

Air temperature after humidification t_2 :.....[°C]

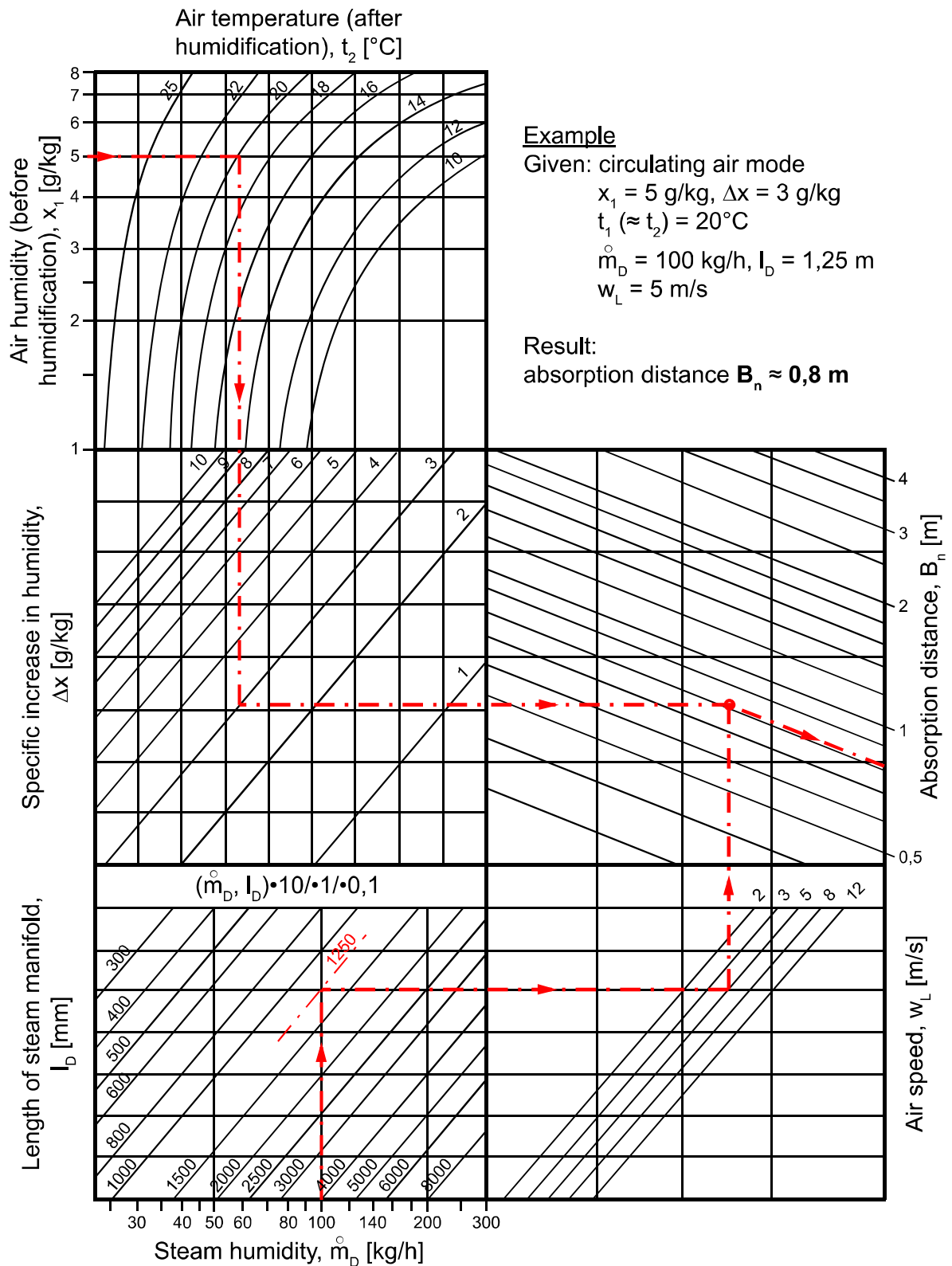
Specific increase in humidity Δx :.....[g/kg]

Quantity of steam introduced $\overset{o}{m}_D$:.....[kg/h]

Air speed w_L :.....[m/s]

Total length of steam manifold l_D :.....[mm]

5.5.2 Absorption Distance Nomogram



Source: Henne, Erich: Luftbefeuchtung (Air Humidification), 3rd Edition 1984 (Page 101), Oldenbourg Industrieverlag, Munich

6. Water connection

▲ WARNING

Risk of scalding!

Very hot water to be found in and around the steam humidifier during and after operation. Have all installation work done by expert staff in order to avoid scalding hazards due to improper water guidance.

▲ WARNING

Risk of electrical shock!

Hazardous electrical voltage!

Before starting installation work ensure that the unit is not yet connected to the power supply.

General Rules

- Obey local water utility regulations
- When using fully demineralised water, we recommend the use of stainless steel or plastic pipes.
- Verify that necessary safety measures have been taken – in compliance with either German Technical and Scientific Association for Gas and Water (DVGW) guidelines (DIN EN1717) or local regulations – that eliminate backflow of polluted water into drinking water treatment facilities. This may require the installation of a system separator of the CA type (minimum measure, allowable only when free discharge into the drainage system is given). Within the humidifier, a double check valve (58) is located in the water supply line. It prevents - in accordance with DIN EN 61770 - the backflow of water.
- Supply water must not exceed 40°C (104°F)
- Allowable range of water pressure: 1 to 10 bar /14.5 to 145 psi (100 x 10³ to 100 x 10⁴ Pa)
- For connection to the water supply pipe, make use of a water hose

- Blow-down water must drain freely
- As installation or retrofit option, the DVGW-conform **HyFlow** system separator is available for the HygroMatik electrode steam humidifiers (except SLE 02).
- You can also use a standard BA/CA system separator for the corresponding fluid category.

6.1 Feed water quality

HygroMatik heater steam humidifiers are designed for operation

- with drinking water* or or treated drinking water like
- partially or fully softened water
- cleaned condensate
- mixed or normal demineralised water without chemical additives.
- When using deionised water, there must be a minimum conductivity of 3µS/cm.
- Do not use copper or brass for the humidifier inlet and outlet pipes. These materials can be destroyed by the deionised water/ condensate. Suitable materials are, for example, stainless steel or plastic pipes.
- From a water hardness of 15°dH, we recommend upstream water treatment.
- The feed water that is used (independent of the type of treatment) must have a minimum pH value of 6.5.
- FLP-TPRO units may only be operated with softened water
- Operation with fully softened water (0°dH) is possible

* according to the drinking water regulation

6.2 Operation with softened water

NOTICE

Do not use softened water unless special measures are taken!

- Operation with partially or fully softened water makes it necessary to adjust the blowdown parameters to a higher blow-down frequency.
- Even if the HygroMatik steam humidifier is supplied with partially softened water, the remaining hardness builders can cause fine crystalline deposits. These can be set down in the sieve area of the steam cylinder bottom part and cause blocking of the sieve.
- Operation with fully softened water (0°dH) is possible

6.3 Water supply

NOTICE

Foreign material in water supply pipe may cause premature wear of the solenoid valve.

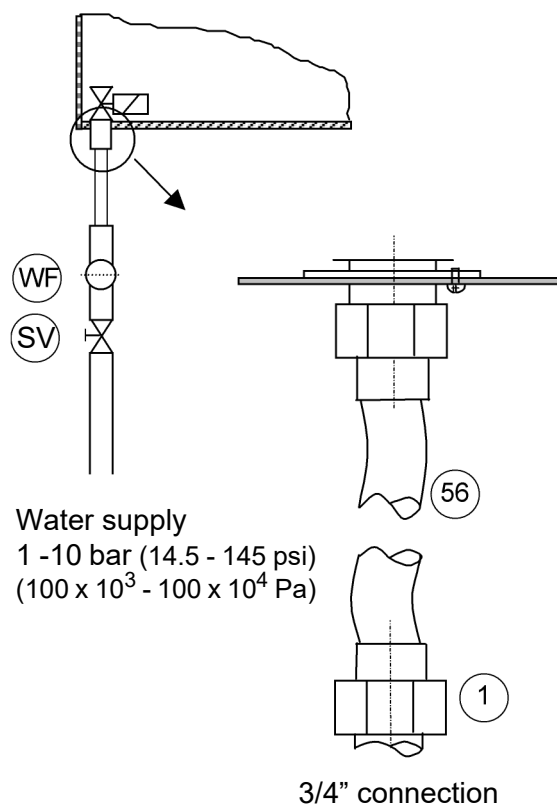
Flush the water supply pipe before making connection to the solenoid valve. This is of particular importance in case of a newly installed pipe.

- » Install a shut-off valve (SV) in the supply line.
- » Install a water filter (WF) if required due to bad water quality.

Please note

- Shut-off valve (SV) and water filter (WF) are not included in the delivery
- For connection to the water supply line, the water hose (56) with cap nuts (1) on both ends supplied with the unit may be used.

- In case of no safety device for drinking water protection according to DIN EN 1717 present in the house installation system, a system separator at least of the CA type is mandatory.



*) the numbers refer to the exploded view in the chapter with the same name.

Make connection as follows:

- » Attach cap nut with inner seal ring to inlet screw joint on the humidifier housing and tighten.

NOTICE

Do not overtighten the cap nut!
Excessive tightening will destroy the fitting.

Please note

- » Screw the other hose end cap nut with its inner seal on a customer-provided water tap (cap nut internal thread is 3/4").
- » Strainer must be placed inside the solenoid valve

6.4 Water discharge

⚠ WARNING

Risk of scalding!

During blow down, up to 0.3 l/sec (0.8 gal./sec) are being drained with a temperature of about 95 °C (203°F).

Ensure that the drain hose is reliably fastened and wastewater can drain freely and pressureless.

Please note

Humidifier installation location and wastewater discharge must be on the same pressure level. In case of a drain connection on positive pressure, pls. consult your expert dealer.

Guidelines for water discharge composition

- Use original HygroMatik water drain hose
- Do not buckle drain hose
- Use a drain pipe and outlet pipe made of suitable material (temperature resistant up to 95°C (203°F); with waste water cooling HyCool up to 60°C)
- In case of a free outlet according to DIN EN 1717, a system separator for liquid category 3 is required for the water connection.
- In all other cases, use a system separator for liquid category 5.

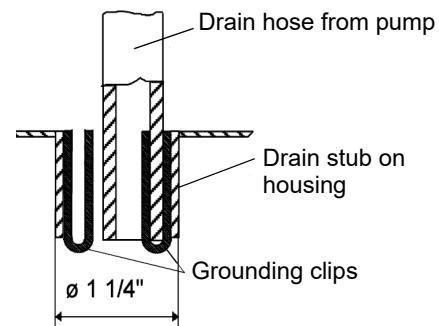
How to proceed

- » Run a 1 1/4 " drain hose of 250 to 1000 mm (10 to 40 inch) length into a pressure-free outlet according to DIN EN 1717.

Valid for all steam humidifiers (KITS are not included):

- » Position the hose to the side of the humidifier to prevent rising steam from hitting the housing.
- » Slide pump drain hose onto one of the grounding clips.
- » Slide overflow hose of the HyFlow system separator (if present) onto the other grounding clip.

Grounding clip functioning



The two grounding clips attached to the inner surface of the housing drain stub are in direct contact with water and shunt potential residual electric currents away from the housing during blow-down and in case of a cylinder water overflow.

Between the pump drain hose jacket and the inner surface of the cabinet drain connection, a gap exists due to the diverging diameters. If water collects on the base plate, it will flow through this gap into the drain hose and then into the drainage system.

Please note

With the optional wastewater cooling system **HyCool** (not available for FLP-XX-TPRO units), HygroMatik offers an option for limiting the steam humidifier wastewater temperature in order to protect thermosensitive wastewater pipe lines. By blending with tap water during blow-down, wastewater temperature is below 60°C (140°F) as long as inlet water temperature does not exceed 30°C (86° F).

6.5 Water connections final check

Go down the following water installation checklist:

- All screws and clamps properly tightened?
- Water supply line flushed before making connections?
- Water connection properly installed?
- Water discharge properly installed?
- Does blow-down water drain freely?
- Water supply line and water discharge leakage-free?

7. Electrical connection

⚠ WARNING

Risk of electrical shock!

Hazardous electrical voltage.

All work related to electrical installation to be performed by expert staff (electricians or expert personnel with equivalent training) only. Do not connect the reverse osmosis unit to the live power supply before all installation work has been completed.

Please note

The customer is responsible for checking expert staff qualification.

General installation rules

- All local rules concerning the implementation of electrical installations must be obeyed
- Electric connector cables to be laid professionally
- Install the electrical connections according to the wiring diagram
- With units of a nominal power output > 33 kW electrical connection to a permanent line is mandatory (according to VDE 0700 Part 98)

NOTICE

Possible electronical components destruction through electrostatical discharge!

Prior to commencing electrical installation work, steps must be taken to guard the sensitive electronical components of the unit control against damage from electrostatical discharge.

7.1 Electrical installation approach

Do not connect the steam humidifier to the live power supply before all installation work has been completed.

- » Provide fuses with a contact gap of at least 3mm per pole.
- » Install a separate main connection for each steam cylinder including main circuit breaker, main switch etc.
- » Make main connection according to the table below.

Main connection and Fusing

For the FlexLine steam humidifiers in the standard version, main connection can be found in the Technical Data (in the chapter of the same name).

Other operating voltages on request.

Please note

HygroMatik recommends the use of slow blowing up to middle time-lag main fuses.

Steam humidifier installations should incorporate an individual residual current circuit breaker (Type A-RCD).

The maximum current consumption and the resulting required fuse protection of the individual standard unit types can be found in the technical data table (chapter Technical data at the end of this manual).

7.2 Cable connections

The table below shows the number and dimensioning of the cable connections provided by the various FlexLine housing types.

Model	M25	M25 with MSI*)	M32	M40	Blind plug* *)
FLE05/10 FLH03/06 FLH09	1	1	0	0	3
FLE15/20 FLE25 FLH15/25	1	1	0	0	3
FLE30/40	0	1	1	0	3
FLE50/65 FLH30/40 FLH50	0	1	0	1	3
FLE80	0	1	2	0	3
FLE100 FLE130 FLH80 FLH100	0	1	0	2	3

Model	M25 PG	M25 with MSI*)	M40 PG	Ø 25 filler plug
FLP 05/08	1	1	0	3
FLP15/25	1	1	0	3
FLP30/40/50	0	1	1	3

*) Multiple seal insert

**) Ø 25 mm/~ 1.0 inch

Characteristics of metric cable connections

Thread	Wrench size [mm/in.]	Cable diameter supported [mm/in.]
M25x1,5	30/~ 1.2	9 - 17/ ~0,35 - 0,67
M25x1.5 with MSI*)	30/~ 1.2	6 (3x)/ ~0,24 (3x)
M32x1,5	36/~ 1.4	13 - 21/ ~0,51 - 0,83
M40x1,5	46/~ 1.6	16 - 28/ ~0,63 - 1.1

7.3 Safety interlock

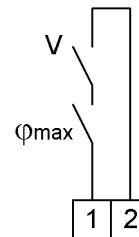
⚠ WARNING

Risk of electrical shock!

Hazardous electrical voltage.

When standard wiring was made, terminal 1 shows 230 VAC after commissioning.

Across terminal 1 and 2 the so-called safety interlock is wired. This wiring allows for integration of safety devices. In case of an open safety interlock the steam humidifier does not operate.



Safety interlock terminals 1/2 on

Please note

Factory setting leaves the safety interlock open!

Install contact interlocks, e.g. a max. hygrostat, vane relays, pressure controllers, air interlock devices etc. in series across terminal 1 and 2.

NOTICE

Contacts across terminals 1 and 2 must be potential free and properly rated!

Rating must comply with the control voltage in use.

Best practice implies the integration of a max. hygrostat in the safety interlock wiring to protect against over-humidification due to a r.h. sensor malfunction.

7.4 Connection diagram

The device-specific wiring diagrams are included in the scope of delivery. Please use them for the installation and keep them in a safe place.

7.5 Electrical installation check list

Check electrical installation with respect to customer-site requirements and local power supply regulations.

- Safety interlock properly wired across terminals 1 and 2?
- Supply voltage in accordance with name plate voltage rating?
- All electrical connections made according to the wiring diagram?
- Is the sensor (temperature sensor or r.h. sensor, depending on the application scenario) properly connected to the main p.c.b. ? (make sure that the input selected is adequate for the type of sensor installed with respect to the signal type and range specified).
- All screw terminal connections properly tightened?
- Have all electrical cable and plug connections been properly tightened?
- Proper unit grounding made?

8. Commissioning

▲WARNING

Risk of operating error!

Start-up of the unit is restricted to expert staff only (electricians or expert personnel with equivalent training).


Step 1: Check of mechanical integrity and wiring

- » Open housing cover.
- » Check cylinder seating.
- » Check steam, condensate and drainhose clamps.
- » Check that all electrical wire connections (including steam cylinder wiring) are tight and secure.

Step 2: Switching on the steam humidifier

- » Switch on main breaker.
- » Open water supply stopcock (operating pressure should be 1bar min., 10bar max.).
- » Switch on unit by setting control switch to "I".

Step 3: The unit performs a self-test and, then, commences normal operation

- During self-test, the On/Off button icon  flashes for a couple of seconds
- After the self-test of the controller, the display shows the setup view for the basic device settings (language, date, time and control settings). Refer to the chapter "Commissioning" in the operating instructions for the control system.
- Consequently, normal operation is commenced. However, steam is not produced without a demand pending

Step 4: Trigger steam demand

- » Set control to 1-step operation, i.e. permanent steam demand, and close safety interlock.
- » Allow all electrical functions to terminate in their programmed order.

Step 5: Monitor unit function and check for leakage

- » Let unit operate for 15 to 30 minutes.
- » If leaks appear, switch off the unit.

▲WARNING

Risk of electrical shock!

Hazardous electrical voltage!

Follow safety instructions for work on live components.

Step 6: Repair leaks

- » Find leaks and eliminate.
- » Check again for leaks.
- » When everything is o.k., reattach housing cover.

9. Maintenance


9.1 General

For the achievement of a long unit life span, regular maintenance is a must. Maintenance works to be performed refer to unit assemblies that underlie either mechanical or electrical wear and tear, or may be impeded by residues in their proper functioning.

A steam humidifier's optimal performance and the maintenance intervals required primarily depend on the water quality encountered and the amount of steam produced. A particular water quality may shorten or lengthen maintenance intervals. The amount of residues found in the steam cylinder allows for a hint on future maintenance intervals.

Another scenario influencing the unrestricted unit availability is the main contactor lifetime in terms of a maximum number of switch cycles allowed, as indicated by its manufacturer. Unit control monitors the number of switch cycles and produces a service message when the max. number is reached.

9.1.1 Service messages

In case of a service message produced, the HygroMatik logo in the main section of the touch display (for explanation s. „FlexLine controls“ manuals) is blanked. Instead, a frame is shown with the service icon  in it and a „Service message (xx)“ („xx“ indexes the message code). When the message frame is touched, the service message is displayed in clear language.

The service messages are listed in detail in the „FlexLine controls“ manuals. Following hereafter, pls. find 2 service messages denoted as examples:

- „*Steam_amount_counter*“ is output when the pre-set produced steam amount is reached. Maintenance of the device is necessary.

- „*Cycles_main_contactor x*“ is indicated when the number of cycles pre-set for main contactor „x“ (x = 1...5) is reached. The main contactor should then be replaced and the counter reset (s. „Service“ submenu in the „FlexLine controls“ manuals).

After a „*Steam_amount_counter*“ message, maintenance work mainly encompasses checking and cleaning all of the unit parts including the steam cylinder inside, and a unit test run.

As part of the maintenance work, screw terminals and plug connections must be checked every time. If required, retightening the terminal screws is a must as well as ensuring tight fit of all of the plug connections.

Since steam and condensate hoses are subject to wear as well, hoses must also be checked regularly for tightness, flexibility and firm seating.

Seals are wear parts. As such, seal integrity checks and replacement is also a part of the regular maintenance work.

9.1.2 Service messages for preventive maintenance

HygroMatik steam humidifiers continuously monitor the performance of the following functional areas:

- Blow-down operations
- Cylinder filling

When reaching pre-set trigger levels, unit control outputs preventive service messages that relate to the corresponding functional area.

The functional area addressed should then be checked at short term and maintained, if required (s. „FlexLine controls“ manuals, „Service messages and warnings“ chapter“).

9.2 Safety instructions for maintenance

⚠ WARNING

Risk of electrical shock!

Hazardous electrical voltage. Unit must be switched off and protected against restart by expert staff (electricians or expert personnel with equivalent training) before any maintenance work is commenced.

⚠ WARNING

Risk of skin burning!

Hot steam cylinder during operation and for some time afterwards.

Drain steam cylinder before any maintenance work is commenced. After that, wait approx. 10 mins before starting maintenance work.

Check steam cylinder temperature by cautious approximation with hand (do not touch!).

⚠ WARNING

Risk of scalding!

Water pumped or drained from the steam cylinder may have a temperature of up to 95 °C (203 °F).

Wear proper PPE (Personal Protection Equipment)!

NOTICE

Take care of ESD protection!

The electronic components of the humidifier control are very sensitive to electrostatic discharges. In order to protect these components during maintenance, steps must be taken to guard against damage from electrostatic discharge.

9.3 Maintenance frame work when unit is operated with fully demin. water and condensate

Instructions on maintenance and cleaning intervals are entirely based on empirical data.

Cycle time	Maintenance work
<p>4 weeks after commissioning (also after installation of a new steam cylinder)</p>	<ul style="list-style-type: none"> • Visual inspection of electrical and mechanical connections • Remove mineral deposits from steam cylinder, water drain hose and blow-down pump • Visual inspection of level control. • Visual inspection of the steam cylinder interior.
<p>annually</p>	<ul style="list-style-type: none"> • Visual inspection of electrical and mechanical connections • Remove mineral deposits from steam cylinder, water drain hose and blow-down pump. • Visual inspection of level control. • Visual inspection of the steam cylinder interior. • Removal of used O-rings between the cylinder halves, in the base and in the steam hose adapter • Cleaning the vent hole in the pipe bend • Cleaning the fine filter of the solenoid valve • Checking the hoses

9.4 Maintenance when unit is operated with tap water or partially softened water

No precise maintenance intervals can be specified because these always depend on water quality and the amount of steam generated. It is advisable to adjust the frequency of maintenance to the specific operational experience. HygroMatik recommends to check the opened steam cylinder 1 or 2 weeks after initial commissioning in order to quantify the amount of residue produced so far, allowing for determining future maintenance intervals and/or the adjustment of blow-down cycles possibly required.

Blow-down cycles

The vaporisation process causes hardness builders (calcium) in form of solids of various compositions to fall out within the steam cylinder. Cyclic blow-down by means of a powerful blow-down pump followed by fresh water refills remove parts of this solid built-up.

Water quality

When tap water is used, it must be taken into account that cleaning intervals shorten as the carbonate hardness level increases. As a general rule, it is preferable to operate the unit with fully demineralized water since operation will not be affected by mineral deposits and flushing loss will be minimized.

Please note

Possibly, maintenance intervals may be extended by moderately increasing the blow-down cycle rate. Please consult your expert dealer.

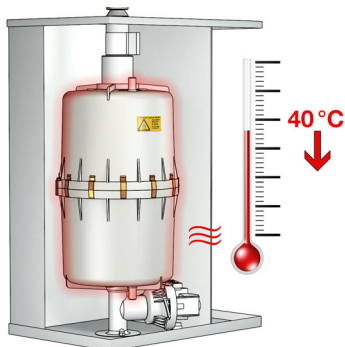
9.5 Removal and reinstallation of the steam cylinder

9.5.1 Removal of the steam cylinder

- » Hold the control switch in position II to pump the rest of the water out of the cylinder.



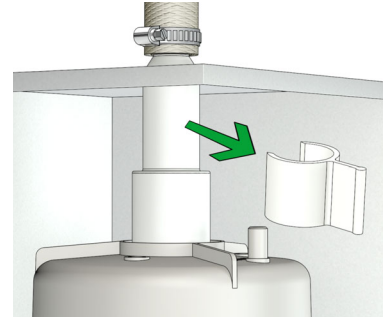
- » Set the control switch to position 0 to switch off the unit.
- » Disconnect unit from power supply and secure against reconnection.
- » Remove unit housing cover.
- » Check the unit again to ensure no voltage is present.
- » Shut off the water supply.
- » Wait 10 minutes so that the possibly hot cylinder can cool down.



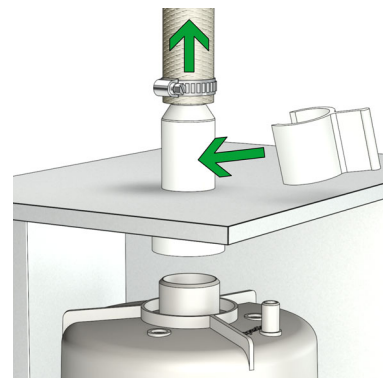
- » Check the temperature by carefully approaching it with your hand, do not touch the cylinder if the rest heat should be too strong.
- » Remove Super Flush solenoid hose from cylinder bottom (if applicable).
- » Remove the steam hose from the steam hose adapter.

If the steam hose is not to be disconnected, the steam hose adapter with the steam hose still attached may be detached from the steam cylinder as shown in the next figures.

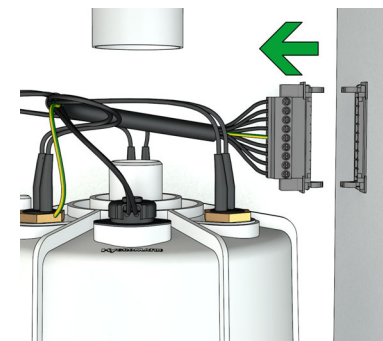
- » Remove the clip from the steam hose adapter.



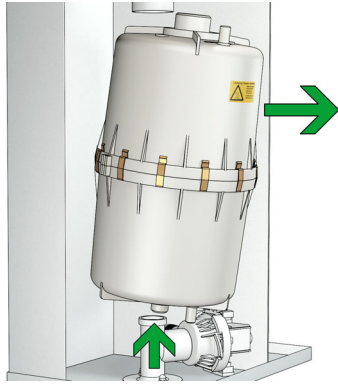
- » Pull the steam hose together with the steam hose adapter upwards. This will disconnect it from the steam cylinder.



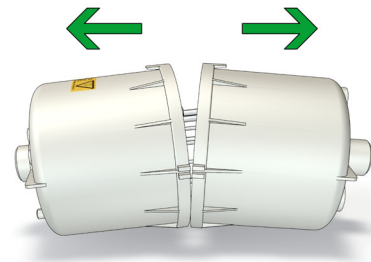
- » Push the clip onto the adapter outside of the unit housing.
- » Separate connector halves.



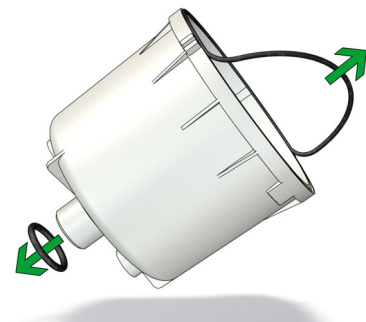
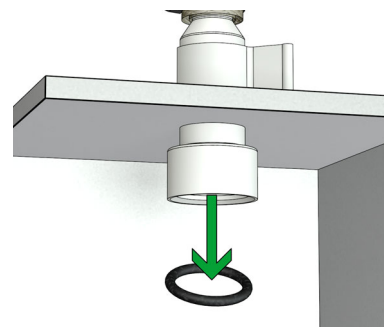
- » Lift steam the cylinder from the cylinder base.



- » Separate cylinder halves.



- » Remove the used O-rings between the cylinder halves, in the base and in the steam hose adapter.



9.5.2 Cylinder cleaning / O-ring replacement

For cleaning, mechanical removal of the deposits is usually sufficient.

⚠ CAUTION

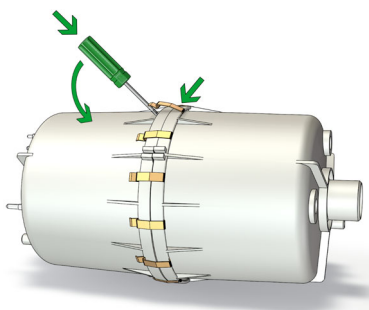
Risk of eye injuries!

The clips that fix the steam cylinder halves have sharp edges and can jump off during dismantling.

Eye injuries are possible.

Wear proper PPE (Personal Protection Equipment)!

- » Remove the cylinder flange clamps.

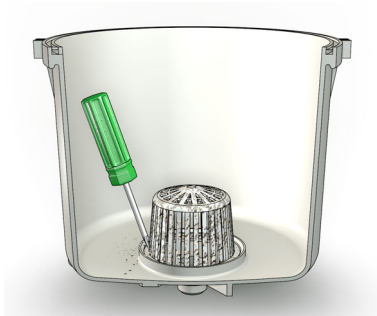


- » Clean the cylinder inside.

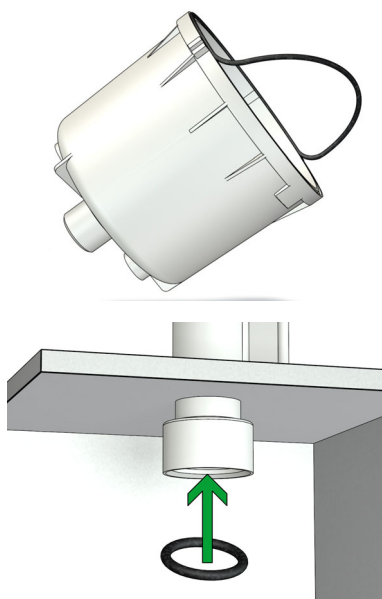


- » Clean the heating element(s) by scraping or scrubbing. A small amount of scale hardener is harmless.

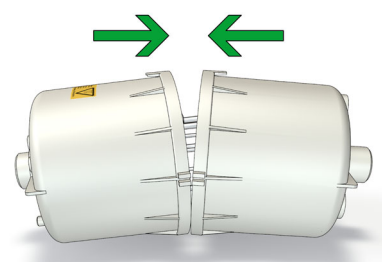
- » Clean both strainer.



- » Check the base and its connections for limescale deposits and clean if necessary.
- » Insert a new O-ring in the base.
- » Insert new O-rings between the cylinder halves and in the steam hose adapter.



- » Put the cylinder halves together and reconnect them with the flange clamps.



- » When assembling the cylinder, make sure that the brackets and reinforcements are on top of each other.

NOTICE

Risk of functional disruption!

Use descaler or cleaning detergents only for cylinder and heater element cleaning. Do not introduce in cylinder base or apply to hoses!

Prior to restarting the unit, make sure that the device assemblies in question are thoroughly flushed or rinsed.

NOTICE

Possible damage to the unit!

Excessive use of force during mechanical cleaning of the cylinder or heating element can damage these parts of the unit.

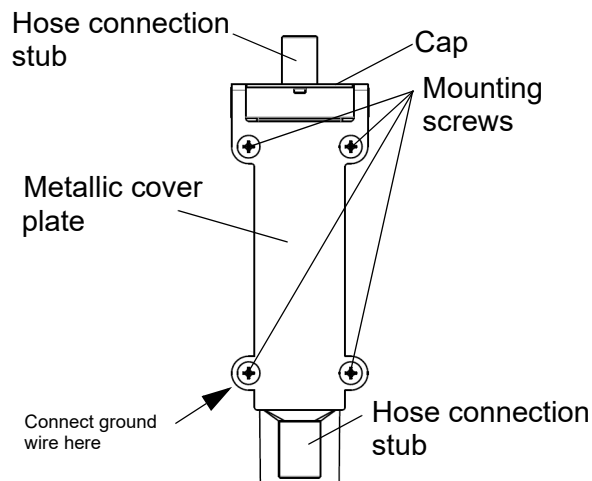
9.5.3 Cleaning the connecting hoses, base connections, fine filter and drain pump

- » Check the connection hoses for condition and free passage.
- » Check all connections of the cylinder base for free passage.
- » Clean the hoses and connections if necessary.
- » Remove the fine filter on the water connection side from the solenoid valve and clean it under running water.
- » Clean the drain pump as described in the section of the same name.

NOTICE

When operating with partially softened water or tap water, scale may be discharged with the steam flow and may settle in the nozzle positioned in steam hose adapter. Therefore, this nozzle should be inspected regularly as part of the general maintenance review and cleaned if necessary.

9.5.4 Level control device cleaning



Water sensor

The level control device is accessible only after removal of the steam cylinder.

- » Disconnect hoses from level control device connection stubs on upper and lower side
- » Remove the 4 screws securing the metallic cover plate of the level control device and the device as such against the unit rear wall. Memorize ground wire attachment position (under lower left hand side screw).
- » Unclip level control device enclosure cap with a flick of the thumb and remove.
- » Take out o-ring and dispose of.
- » Make visual inspection of level control device enclosure interior and clean, if required. Scratch out any deposits, if present.
- » Inspect both level control connection hoses and clean, if required.
- » Insert new o-ring.
- » Re-attach enclosure cap.
- » Align metallic plate with level control device enclosure mounting holes and insert screws in upper left and lower right position. Reintroduce level control device into humidifier housing and loosely affix to unit rear wall with the 2 screws.

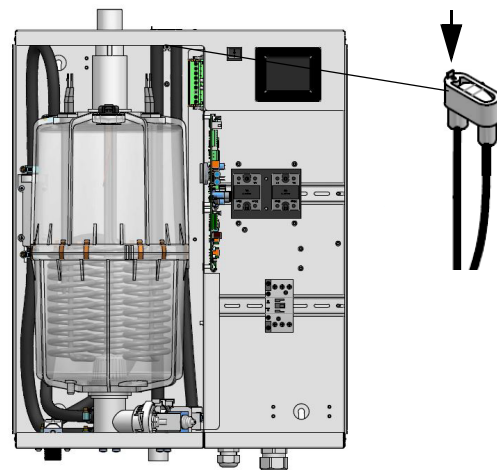
- » Insert the 2 screws remaining into the open level control device enclosure mounting holes while positioning the ground wire connection eyelet under the lower left screw.
- » Handtighten all of the screws.

Please note

A functional check of the level control device may only be accomplished while the device is installed into the unit!

9.5.5 Cleaning the vent hole on the pipe elbow

The pipe elbow is only accessible when the steam cylinder is removed.



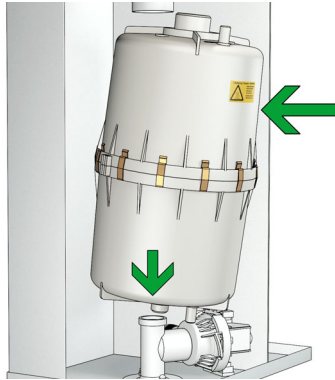
- » Remove the pipe elbow from the back wall of the housing by unscrewing the fixing screw of the pipe elbow.
- » Check the small opening on the top of the pipe elbow for dirt.
- » Remove any dirt, e.g. with a small screwdriver.
- » Reattach the pipe elbow to the back wall of the housing with the screw.

Please note

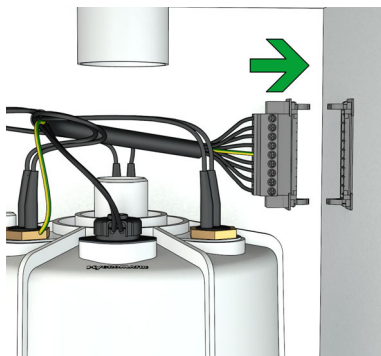
The vent hole should be checked for free circulation during every maintenance. A blocked vent hole has a negative effect on the drainage process (see also chapter "Trouble shooting" in the manual of the control).

9.5.6 Reinstallation of the steam cylinder

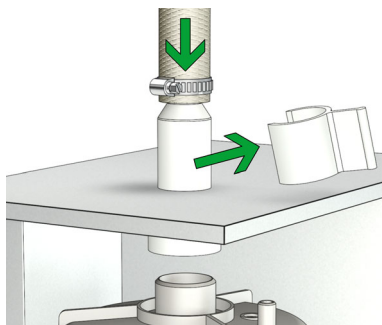
- » Place the cylinder vertically in cylinder base.



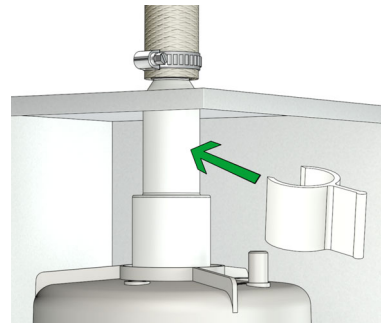
- » Reconnect connector halves.



- » Reattach Super Flush solenoid hose (if applicable) to steam cylinder bottom stub.
- » Reattach level control hose to cylinder cover.
- » Attach steam hose adapter to cylinder.



- » Affix the steam hose adapter with the clip.



- » Follow the handling instructions in the section **Leakage test**.

NOTICE

Risk of functional disruption!
Risk of material damage!

Loose cable connections may result in increased transition resistance and contact area overheating.

- » Check all cabling terminals and plugs for tight seating. Plugs must sit on their respective contacts as far as they will go.
- » Check heater element wiring for damaged insulation

9.6 Removal and installation of unit components

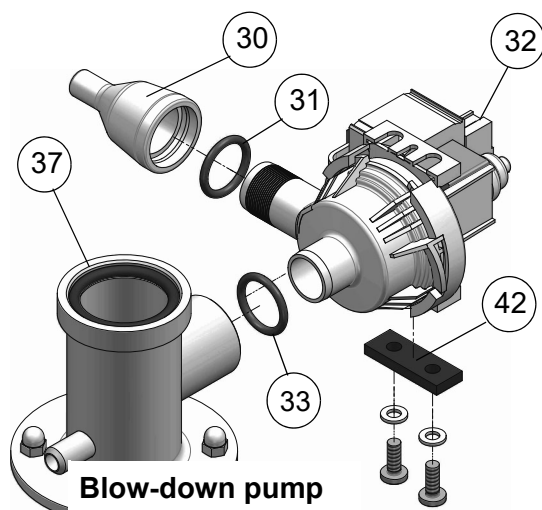
9.6.1 Blow-down pump (removal, cleaning, reinstallation)

Removal and cleaning

- » Remove steam cylinder as described in „Removal and reinstallation of steam cylinder“ section.
- » Detach adapter (30*) from pump (32*).
- » Detach electrical cable from pump.
- » Unscrew mounting screws from housing bottom plate. Save vibration buffer (42*), bolts and washers for reinstallation.
- » Pull out the pump of the cylinder base (37*).
- » Open the pump bayonet lock.
- » Remove residues from pump and drain hoses.
- » Remove the used o-Ring (33*).

- » Push pump back into cylinder base and bolt to bottom plate incorporating the vibration buffer (42) and washers saved during removal.
- » Moisten O-ring (31) and insert into adapter.
- » Slide adapter (30) onto pump stub.
- » Refit electrical cable to pump connector (no polarisation).
- » Reinstall the steam cylinder (see chapter Reinstallation of the steam cylinder).
- » Follow the handling instructions in the section **Leakage test**.

* (the figures refer to the illustration on the next page)



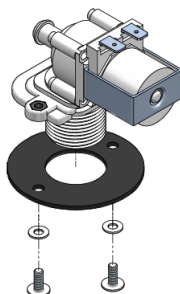
Reinstallation

- » Moisten the new O-ring (33) and insert into cylinder base (37) horizontal stub.

9.6.2 Solenoid valve (removal, reinstallation)

Removal

- » Shut off water supply and disconnect tap water hose cap screw connection.
- » Remove connecting hose (20*) from cylinder base.
- » Detach electrical cable connector from solenoid valve (25*).
- » Unscrew solenoid valve mounting screws.
- » Remove solenoid valve from housing bore.



Reinstallation

- » Reinsert fine filter into solenoid valve.
- » Reinsert solenoid valve with seal in unit housing bore.
- » Bolt-down solenoid valve.
- » Reestablish tap water connection.
- » Reconnect electrical cable to solenoid valve.
- » Reattach connecting hose (20) to cylinder base using clamp.
- » Follow the handling instructions in the section **Leakage test**.

*) the numbers refer to the exploded view in the same named chapter

9.6.3 Heater element replacement

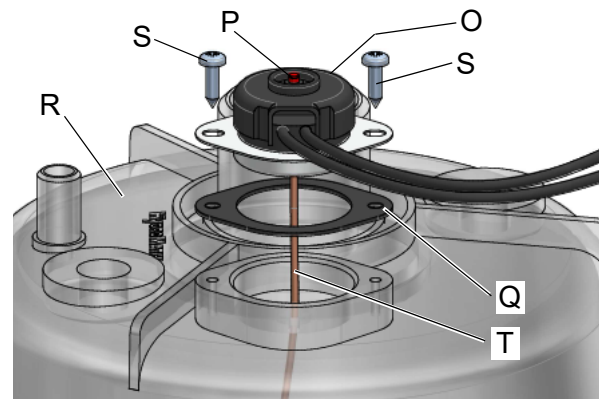
Removal

- » Remove and open steam cylinder as described in the **Removal of the steam** cylinder section.
- » Separate thermo switch capillary tube from heater element(s) by detaching the retainer clips.
- » Remove wiring of the heater element(s) in question from connector terminals (mark positions for re-clamping).
- » Unscrew heater element fixing nut(s) from cylinder cover.
- » Remove adjusting washer and grounding lug/lock washer (if present) and pull heater element/s downward out of steam cylinder cover.
- » Clean the sealing surface on the underside of the cover around the area where the new heater element will be installed.

Reinstallation

- » Install replacement heater element(s) (with new sealing) while considering the correct sequence of all of the mounting parts. Ensure proper grounding and tighten nut(s).
- » Insert heater element wires into the terminals of the wiring connector following the markings made when disassembling. Polarity is not an issue.
- » Refit thermo switch capillary tube to heater element(s) using retainer clips.
- » Reassemble steam cylinder and reinstall in humidifier housing as described in the **Reinstallation of the steam cylinder** section.
- » Follow the handling instructions in the section **Leakage test**.

9.6.4 Thermo switch replacement (for heater elements)



- O: Thermo switch
- P: Thermo sensor release button
- Q: Seal
- R: Steam cylinder
- S: Screw
- T: Capillary tube

Removal

- » Remove and open the steam cylinder as described above in “Removing and cleaning the steam cylinder” section.
- » Remove wiring of the thermo switch from connector terminals (mark positions for re-clamping).
- » Detach capillary tube (T) retainer clips from heater element(s).
- » Separate capillary tube from heater element(s) (4).
- » Unscrew the two screws holding thermo switch (S) in place.
- » Pull out thermo switch (O) upwards off steam cylinder cover (R).

NOTICE

Risk of material damage!

Do not buckle the thermo switch capillary tube!

Reinstallation

- » Install replacement thermo switch with a new sealing.
- » Properly connect the capillary tube to the heater element. In case of humidifiers with several heating elements, the capillary tube is attached to three heating elements.
- » Insert thermo switch wires into the terminals of the wiring connector following the markings made when disassembling.
- » Reassemble steam cylinder and reinstall in humidifier housing as described in the „Removing and cleaning the steam cylinder“ section.

9.6.5 Releasing a thermo switch that has triggered

To protect the steam humidifier against thermal overload, the unit is equipped with one or two thermo switches, depending on the unit capacity. Mounting positions for the thermo switches are on the cylinder cover. One of the thermo switches (or „the“ one, in case of only one thermo switch present) features a capillary tube for thermal coupling to the heater element. Additionally, the solid state relay is protected with a bi-metal switch attached to the heat sink to prevent damages caused by inadequate ventilation through e.g. covered vents.

From an electrical point of view, all of the thermo switches are connected in series. In case of one of the thermo switches triggering due to a temperature too high, the main contactor K1 drops, while the electronic control enters fault state „120“, i. e. „Thermoswitch“.

In case of one of the thermo switches triggering repeatedly, the reason for this must be identified prior to further unit usage.

Thermo switch(es) on steam cylinder cover.

After the unit has cooled down, the thermo switch that has triggered may be identified by passage measurement, as long as it is a thermo switch on a steam cylinder. Unblocking the thermo switch is accomplished as follows:

Slightly push down the red button (s. above section) protruding a few millimeters from its holder. This will make the button return to its original position and unblock the mechanism.

Relasing a thermo switch does not erase the fault message in the control fault memory.

Thermo switch on solid state relay

The thermo switch attached to the solid state relay is a bi-metal switch without an unblocking feature. Instead, after cool-down, the switch will be unblocked automatically. Restarting the steam humidifier is only possible after cool-down.

9.6.6 Inspection of wiring connections and heater element wiring

NOTICE

Risk of functional disruption!
Risk of material damage!

Loose cable connections may result in increased transition resistance and contact area overheating.

- » Check all cabling terminals and plugs for tight seating. Plugs must sit on their respective contacts as far as they will go.
- » Check heater element wiring for damaged insulation.

9.7 Leak test

▲WARNING

Risk of electrical shock!

Hazardous electrical voltage!

Follow safety instruction for work on live components.

Leakages may invoke leak currents.

The leak test described below must be done after all maintenance work that affects the water circuit inside the unit. If work has been done at several points, the final leak test is enough, although this work step is listed for all parts of the work.

The leak test must be done with the unit open, paying particular attention to the warning above.

- » Open the water supply.
 - » Switch on the unit and check the inside for leaks (hose connections, O-rings, seals) after 15-30 minutes of operation.
 - » In case of leakage turn off power supply and secure against being switched on again.
 - » Find leakage and eliminate.
 - » Check again.
 - » Follow the instructions in the section **funktional check**.
-

9.8 Functional check

- » Run the system with maximum output for a couple of minutes
 - » Check hose connections and seals for leakage.
-

9.9 Finishing maintenance

- » Reattach unit housing cover
- » Reset service interval

Reset service interval:

After finishing substantial maintenance work, the service interval must be reset by means of the „Service-reset_cyl. 1“ or „Service-reset_cyl. 2“ parameters (only with double cylinder units), s. „FlexLine controls“ manual, „Service“ submenu.

The steam amount counter now again holds the value preset that determines the next maintenance requirement when reached.

10. Dismantling

Once the steam humidifier will no longer be used, dismantle (demolish or scrap) it by following the installation procedures in reverse order.

▲ WARNING

Dismantling of the unit may only be performed by qualified personnel. Electrical dismantling may only be performed by trained electricians.

Disposal after dismantling

The humidifier is made up of metal parts and plastic parts. In reference to European Union directive 2012/19/EU issued on 4 July 2012 and the related national legislation, please note that:

The components of the electrical and electronic devices must not be disposed of as municipal waste, and therefore the method of waste separation must be applied. The public or private waste collection systems defined by local legislation must be used.

NOTICE

The operator is responsible for the disposal of unit components as required by law.

11. Declaration of Conformity

EU Konformitätserklärung EU Declaration of Conformity

Hersteller / Manufacturer: HygroMatik GmbH

Anschrift / Address: Lise-Meitner-Straße 3, D-24558 Henstedt-Ulzburg, Germany

Produktbezeichnung: / Product description **FlexLine Heizkörper (FLH):**
 FLH03*, FLH06*, FLH09*, FLH15*, FLH25*, FLH30*, FLH40*, FLH50*
 FLH80*, FLH100*
 *(sowie Ausführungen , -T, oder -TSPA)

Die bezeichneten Produkte stimmen in der von uns in Verkehr gebrachten Ausführung mit den Vorschriften folgender Europäischer Richtlinien überein:

The products described above in the form as delivered are in conformity with the provisions of the following European Directives:

- | | |
|-------------------|---|
| 2014/30/EU | Richtlinie des Rates zur Angleichung der Rechtsvorschriften der Mitgliedstaaten über die elektromagnetische Verträglichkeit.
<i>Council Directive on the approximation of the laws of the Member States relating to electromagnetic compatibility.</i> |
| 2014/35/EU | Richtlinie des Rates zur Angleichung der Rechtsvorschriften der Mitgliedstaaten betreffend elektrische Betriebsmittel zur Verwendung innerhalb bestimmter Spannungsgrenzen.
<i>Council Directive on the approximation of the laws of the Member States related to electrical equipment designed for use within certain voltage limits.</i> |

Die Konformität mit den Richtlinien wird nachgewiesen durch die Einhaltung folgender Normen:
Conformity to the Directives is assured through the application of the following standards:

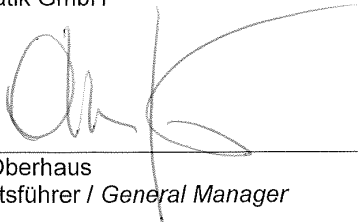
Referenznummer:	Ausgabedatum:	Referenznummer:	Ausgabedatum:
<i>Reference Number:</i>	<i>Edition:</i>	<i>Reference Number:</i>	<i>Edition:</i>
DIN EN IEC 61000-6-2	2019-11	DIN EN 60335-1	2020-08
DIN EN IEC 61000-6-3	2022-06	DIN EN 60335-1 A15	2012/A15: 2021
DIN EN 62233	2008-11	DIN EN 60335-2-98	2020-05
DIN EN 62233 Ber.1	2009-04		

Das Produkt entspricht den Anforderungen des deutschen Produktsicherheitsgesetzes ProdSG hinsichtlich der Gewährleistung von Sicherheit und Gesundheit. Produktänderungen nach Auslieferung können zum Verlust der Konformität führen.

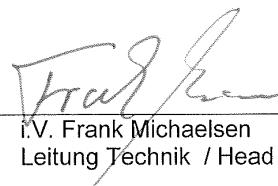
The requirements of the German Product Safety Law ProdSG regarding the ensurance of safety and health are met. Product modifications after delivery may result in a loss of conformity.

Henstedt-Ulzburg, den / the 27.02.2023

HygroMatik GmbH



Rolf F. Oberhaus
Geschäftsführer / General Manager



i.V. Frank Michaelsen
Leitung Technik / Head of Engineering

Diese Erklärung bescheinigt die Übereinstimmung mit den genannten Richtlinien, ist jedoch keine Zusicherung von Eigenschaften. Die Sicherheitshinweise der mitgelieferten Produktdokumentation sind zu beachten.
This declaration certifies the conformity to the specified directives but contains no assurance of properties. The safety documentation accompanying the product shall be considered in detail.

12. Spare Parts

*)	FLH03	FLH06	FLH09	FLH15	FLH25	FLH30	FLH40	FLH50	FLH80	FLH100	Article No.	Description
Steam generation 208-240 V												
4	1										SP-03-01100	Heating element CY08 3kg 208-240V, incl. gaskets
4		1									SP-03-01101	Heating element CY08 6kg 208-240V, incl. gaskets
4				3		6					SP-07-01100	Heating element CY17/45 5kg 208-240V, incl. gasket
Steam cylinder with SuperFlush nozzle												
16	1										SP-03-01020	Steam cylinder FLH03 CY08 208-240V, compl. incl. O-ringset
16		1									SP-03-01050	Steam cylinder FLH06 CY08 208-240V, compl. incl. O-ringset
16				1							SP-04-01020	Steam cylinder FLH15 CY17 208-240V, compl. incl. O-ringset
16						1					SP-06-01080	Steam cylinder FLH30 CY45 208-240V, compl. incl. O-ringset
Steam cylinder without SuperFlush nozzle												
16	1										SP-03-01025	Steam cylinder FLH03 CY08 208-240V, compl. incl. O-ringset
16		1									SP-03-01055	Steam cylinder FLH06 CY08 208-240V, compl. incl. O-ringset
16				1							SP-04-01025	Steam cylinder FLH15 CY17 208-240V, compl. incl. O-ringset
16						1					SP-06-01085	Steam cylinder FLH30 CY45 208-240V, compl. incl. O-ringset
Steam generation 380-415 V												
4		1									SP-03-01102	Heating element CY08 6kg 380-415V, incl. gaskets
4			1								SP-03-01105	Heating element CY08 9kg 380-415V, incl. gaskets
4				3		6	3		6		SP-07-01101	Heating element CY17/45 5kg 380-415V, incl. gasket
4					3		3	6	6	12	SP-07-01104	Heating element CY17/45 8,4kg 380-415V, incl. gasket
Steam cylinder with SuperFlush nozzle												
16		1									SP-03-01051	Steam cylinder FLH06 CY08 380-415V, compl. incl. O-ringset
16			1								SP-03-01080	Steam cylinder FLH09 CY08 380-415V, compl. incl. O-ringset
16				1							SP-04-01021	Steam cylinder FLH15 CY17 380-415V, compl. incl. O-ringset
16					1						SP-04-01050	Steam cylinder FLH25 CY17 380-415V, compl. incl. O-ringset
16						1					SP-06-01081	Steam cylinder FLH30 CY17 380-415V, compl. incl. O-ringset
16							1		2		SP-06-01021	Steam cylinder FLH40/80 CY45 380-415V, compl. incl. O-ringset
16								1		2	SP-06-01050	Steam cylinder FLH50/100 CY45 380-415V, compl. incl. O-ringset
Steam cylinder without SuperFlush nozzle												
16		1									SP-03-01056	Steam cylinder FLH06 CY08 380-415V, compl. incl. O-ringset
16			1								SP-03-01085	Steam cylinder FLH09 CY08 380-415V, compl. incl. O-ringset
16				1							SP-04-01026	Steam cylinder FLH15 CY17 380-415V, compl. incl. O-ringset
16					1						SP-04-01055	Steam cylinder FLH25 CY17 380-415V, compl. incl. O-ringset
16						1					SP-06-01086	Steam cylinder FLH30 CY17 380-415V, compl. incl. O-ringset
16							1		2		SP-06-01026	Steam cylinder FLH40/80 CY45 380-415V, compl. incl. O-ringset
16								1		2	SP-06-01055	Steam cylinder FLH50/100 CY45 380-415V, cpl. incl. O-ringset
Steam generation 440-480 V												
4		1									SP-03-01103	Heating element CY08 6kg 440-480V, incl. gaskets
4			1								SP-03-01106	Heating element CY08 9kg 440-480V, incl. gaskets
4				3		6	3		6		SP-07-01102	Heating element CY17/45 5kg 440-480V, incl. gasket
4					3		3	6	6	12	SP-07-01105	Heating element CY17/45 8,4kg 440-480V, incl. gasket
Steam cylinder with SuperFlush nozzle												
16		1									SP-03-01052	Steam cylinder FLH06 CY08 440-480V, compl. incl. O-ringset
16			1								SP-03-01081	Steam cylinder FLH09 CY08 440-480V, compl. incl. O-ringset
16				1							SP-04-01022	Steam cylinder FLH15 CY17 440-480V, compl. incl. O-ringset
16					1						SP-04-01051	Steam cylinder FLH25 CY17 440-480V, compl. incl. O-ringset
16						1					SP-06-01082	Steam cylinder FLH30 CY17 440-480V, compl. incl. O-ringset
16							1		2		SP-06-01022	Steam cylinder FLH40/80 CY45 440-480V, compl. incl. O-ringset
16								1		2	SP-06-01051	Steam cylinder FLH50/100 CY45 440-480V, compl. incl. O-ringset
Steam cylinder without SuperFlush nozzle												
16		1									SP-03-01057	Steam cylinder FLH06 CY08 440-480V, compl. incl. O-ringset
16			1								SP-03-01086	Steam cylinder FLH09 CY08 440-480V, compl. incl. O-ringset
16				1							SP-04-01027	Steam cylinder FLH15 CY17 440-480V, compl. incl. O-ringset
16					1						SP-04-01056	Steam cylinder FLH25 CY17 440-480V, compl. incl. O-ringset
16						1					SP-06-01087	Steam cylinder FLH30 CY17 440-480V, compl. incl. O-ringset
16							1		2		SP-06-01027	Steam cylinder FLH40/80 CY45 440-480V, compl. incl. O-ringset
16								1		2	SP-06-01056	Steam cylinder FLH50/100 CY45 440-480V, cpl. incl. O-ringset

Spare parts (2)

*)	FLH03	FLH06	FLH09	FLH15	FLH25	FLH30	FLH40	FLH50	FLH80	FLH100	Article No.	Description
Steam generation 575-690 V												
4		1									SP-03-01104	Heating element CY08 6kg 575-690V, incl. gaskets
4			1								SP-03-01107	Heating element CY08 9kg 575-690V, incl. gaskets
4				3		6	3		6		SP-07-01103	Heating element CY17/45 5kg 575-690V, incl. gasket
4					3		3	6	6	12	SP-07-01106	Heating element CY17/45 8,4kg 575-690V, incl. gasket
Steam cylinder with SuperFlush nozzle												
16		1									SP-03-01053	Steam cylinder FLH06 CY08 575-690V, compl. incl. O-ringset
16			1								SP-03-01082	Steam cylinder FLH09 CY08 575-690V, compl. incl. O-ringset
16				1							SP-04-01023	Steam cylinder FLH15 CY17 575-690V, compl. incl. O-ringset
16					1						SP-04-01052	Steam cylinder FLH25 CY17 575-690V, compl. incl. O-ringset
16						1					SP-06-01083	Steam cylinder FLH30 CY17 575-690V, compl. incl. O-ringset
16							1		2		SP-06-01023	Steam cylinder FLH40/80 CY45 575-690V, compl. incl. O-ringset
16								1		2	SP-06-01052	Steam cylinder FLH50/100 CY45 575-690V, cpl. incl. O-ringset
Steam cylinder without SuperFlush nozzle												
16		1									SP-03-01058	Steam cylinder FLH06 CY08 575-690V, compl. incl. O-ringset
16			1								SP-03-01087	Steam cylinder FLH09 CY08 575-690V, compl. incl. O-ringset
16				1							SP-04-01028	Steam cylinder FLH15 CY17 575-690V, compl. incl. O-ringset
16					1						SP-04-01057	Steam cylinder FLH25 CY17 575-690V, compl. incl. O-ringset
16						1					SP-06-01088	Steam cylinder FLH30 CY17 575-690V, compl. incl. O-ringset
16							1		2		SP-06-01028	Steam cylinder FLH40/80 CY45 575-690V, compl. incl. O-ringset
16								1		2	SP-06-01057	Steam cylinder FLH50/100 CY45 575-690V, cpl. incl. O-ringset
Steam generation general												
	1	1	1								AC-03-01000	O-ringset (Pos. 3, 17, 31, 33, 34, 35)
				1	1						AC-04-01000	O-ringset (Pos. 3, 17, 31, 33, 34, 35)
						1	1	1	2	2	AC-06-01000	O-ringset (Pos. 3, 17, 31, 33, 34, 35)
5	1	1	1	1	1	2	2	2	4	4	B-2205031	Thermal circuit breaker steam cylinder incl. incl. Gasket (7), clips
27	1	1	1	1	1	1	1	1			CN-07-01010	Water level sensor complete with cable, short
27									2	2	CN-07-01012	Water level sensor complete with cable, long
1	1	1	1								E-2209018	Adapter for Steam hose for cylinder CY08 DN40-25
1				1	1	2	2	2	4	4	E-2209008	Adapter for Steam hose for cylinder CY17/45 DN40-40
2	1	1	1	1	1	2	2	2	4	4	E-2209002	Cclip for adapter
Water feed												
25	1	1	1								WF-03-00012	Solenoid valve FLH03-09 208-240V 0,2 - 10bar with mounting set
25				1	1						WF-04-00012	Solenoid valve FLH15-25 208-240V 0,2 - 10bar with mounting set
25						1	1	1	2	2	WF-06-00012	Solenoid valve FLH40-50 208-240V 0,2 - 10bar with mounting set
	1	1	1								WF-03-01001	Water feed hose system (Pos: 21, 22, 23, 24)
				1	1						WF-04-01001	Water feed hose system (Pos: 21, 22, 23, 24)
						1	1	1	2	2	WF-06-01001	Water feed hose system (Pos: 21, 22, 23, 24)
56	1	1	1	1	1	1	1	1	2	2	B-2304031	Water inlet hose connection, 0.6m 3/4"
Water drain												
	1	1	1								B-2425005	Pump-drain-hose-system incl. o-ring (Pos. 6, 14, 15, 30, 31)
				1	1	1	1	1	2	2	B-2425009	Pump-drain-hose-system incl. o-ring (Pos. 6, 14, 15, 30, 31)
	1	1	1	1	1	1	1	1	2	2	B-2404027	Drain pump without mounting set Pos: (Pos. 31, 32, 33)
42	1	1	1	1	1	1	1	1	2	2	B-2424014	Mounting set for drain pump
Electrics												
Main contactor 208-240 V												
	1	1									E-2507040	Main contactor 20A, K1 - FLH03-06
				1**							E-2507060	Main contactor 35A, K1 - FLH15 **when connected to 200-240 V 3ph
				1***							E-2507080	Main contactor 65A, K1 - FLH15 ***when connected to 200-240 V 1ph
						1					E-2507080	Main contactor 65A, K1 - FLH30
						1					E-2507060	Main contactor 35A, K1.2 - FLH30
Main contactor 380-480 V												
	1	1	1								E-2507040	Main contactor 20A, K1 - FLH03-09
				1	1						E-2507060	Main contactor 35A, K1 - FLH15-25
						1					E-2507060	Main contactor 35A, K1 - FLH30
						1					E-2507040	Main contactor 20A, K1.2 - FLH30
							1		2		E-2507070	Main contactor 50A K1 - FLH40/80
							1		3		E-2507060	Main contactor 35A K1.2 - FLH40/80
								1		2	E-2507080	Main contactor 65A, K1 - FLH50/100
								1		3	E-2507060	Main contactor 35A K1.2 - FLH50/100
Main contactor 575-690 V												
	1	1	1								E-2507040	Main contactor 20A, K1 - FLH03-09
				1	1						E-2507060	Main contactor 35A, K1 - FLH15-25
						1					E-2507060	Main contactor 35A, K1 - FLH30
						1					E-2507040	Main contactor 20A, K1.2 - FLH30
							1	1	2	2	E-2507070	Main contactor 50A K1 - FLH40-100
							1	1	3	3	E-2507060	Main contactor 35A K1.2 - FLH40-100

Spare parts (3)

*)	FLH03	FLH06	FLH09	FLH15	FLH25	FLH30	FLH40	FLH50	FLH80	FLH100	Article No.	Description
												Electrics
	1	1	1								CN-03-01000	Solid state relay for FLH03-09 208-480V incl. heatsink & temp. limiter
				1	1	1	1	1			CN-07-01000	Solid state relay for FLH15-50 208-480V incl. heatsink & temp. limiter
									1	1	B-2602009	Solid state relay for FLH80-100 380-480V incl. heatsink & temp. limiter
	1	1	1								WR-03-01010	Connector e-compartment - water compartment, plug + socket
				1	1	2	2	2	4	4	WR-07-01010	Connector e-compartment - water compartment, plug + socket
	1	1	1	1	1	1	1	1	1	1	CN-07-00020	Mainboard, fuse 2.5A
	1	1	1	1	1	1	1	1			CN-07-00025	Mainboard, fuse 0.5A (used when power supply for the mainboard is generated by a transformer)
									1	1	CN-07-00028	Mainboard, fuse 1.0A (used when power supply for the mainboard is generated by a transformer)
									1	1	CN-07-00030	Extension board double cylinder FlexLine
	1	1	1	1	1	1	1	1	1	1	CN-07-00040	Relay board
	1	1	1	1	1	1	1	1	1	1	CN-07-00021	Touch Display FlexLine
	1	1	1	1	1	1	1	1	1	1	E-2502412	Control switch, double pole, middle position = "0"
												Accessories
70											SP-07-26000	Steam hose DN25, per m
70											SP-07-26001	Steam hose DN40, per m
57											E-2420423	Drain hose 1 1/4", per m
											E-2604002	Condensate hose DN12, per m
											E-2404004	Steam hose clamp DN25
											E-2604016	Steam hose clamp DN40
											E-2404010	Clamp for drain hose 1 1/4"
											E-8501064	Condensate hose clamp
											E-2604042	Connectors for steam distribution T-piece DN25, stainless steel
											E-2604023	Connectors for steam distribution T-piece DN40, stainless steel
											E-2604021	Connectors for condensate T-piece DN12

*) numbers refer to exploded view

For ordering spare parts, a template can be found on the www.hygromatik.com website under the „Contact“ tab. Your spare parts order may as well be directed per e-mail to the HygroMatik main office using the address hy@hygromatik.de.

Please make sure to specify your unit model and serial number.

This page intentionally left blank

This page intentionally left blank

This page intentionally left blank

13. Technical specifications

FLH-Climate

Technical specifications FlexLine heater					
Unit type	FLH03	FLH06	FLH09	FLH15	FLH25
Steam output [kg/h]	2,7 - 3,0 - 3,3	5,5 - 6,0 - 6,5	8,2 - 9,0 - 9,8	13,7 - 15,0 - 16,4	22,7 - 25,0 - 27,1
Electrical connection ⁽¹⁾	220 - 230 - 240V /1Ph /50-60Hz	220 - 230 - 240V /1Ph /N /50-60Hz	380 - 400 - 415V /3Ph /50-60Hz		
Rated power [kW]	2,1 - 2,3 - 2,4	4,1 - 4,5 - 4,9	6,2 - 6,8 - 7,3	10,3 - 11,4 - 12,3	17,1 - 18,9 - 20,3
Nominal current [A]	9,4 - 9,8 - 10,2	18,7 - 19,6 - 20,4	10,7 - 11,3 - 11,7	16 - 16,9 - 17,5	15,6 - 16,5 - 17,1
Fuse [A]	1 x 16	1 x 25	3 x 16	3 x 20	3 x 32
Terminals max. [mm ²]	4				10
Number of steam cylinder	1				
Control	FlexLine mainboard with capacitive 3.5" touch colour display				
Separate control voltage ⁽³⁾	220 - 240V 2,5A				
Steam hose connection [mm]	1 x 25				1 x 40
Water consumption ⁽⁷⁾ [l/h]	4	7,8	11,6	20	32,6
Water flow rate ⁽⁸⁾ [l/min]	1,3 / 20,5			2,8 / 22,0	
Max. filling capacity [l]	4,8			14,0	
Empty weight [kg]	18,0	19,0	18,0	25,0	
Operation weight [kg]	23,3	24,3	23,3	39,5	
Width ⁽⁹⁾ [mm]	460 ⁽¹¹⁾			540	
Height ⁽⁹⁾ [mm]	535			695	
Depth ⁽⁹⁾ [mm]	320				
Water connection	fully demineralised water / cleaned condensate / partially softened tap water of varying qualities 1 to 10 bar, 1 to 10 bar, for 3/4" external thread				
Drain water connection	Connection Ø 1 1/4"				

Technical specifications FlexLine heater					
Unit type	FLH30	FLH40	FLH50	FLH80	FLH100
Steam output [kg/h]	27,4 - 30,0 - 32,7	36,5 - 40,0 - 43,5	45,5 - 50,0 - 54,3	72,9 - 80,0 - 87,0	91,0 - 100,0 - 108,5
Electrical connection ⁽¹⁾	380 - 400 - 415V /3Ph /N /50-60Hz				
Rated power [kW]	20,6 - 22,8 - 24,5	27,3 - 30,3 - 32,6	34,1 - 37,8 - 40,7	2 x 27,3 - 30,3 - 32,6	2 x 34,1 - 37,8 - 40,7
Nominal current [A]	31,2 - 32,9 - 34,1	41,5 - 43,7 - 45,4	51,8 - 54,6 - 56,6	2 x 41,5 - 43,7 - 45,4	2 x 51,8 - 54,6 - 56,6
Fuse [A]	3 x 35	3 x 50	3 x 63	2 x 3 x 50	2 x 3 x 63
Terminals max. [mm ²]	10	35			
Number of steam cylinder	1			2	
Control	FlexLine mainboard with capacitive 3.5" touch colour display				
Separate control voltage ⁽³⁾	220 - 240V 2,5A				
Steam hose connection [mm]	1 x 40 ⁽⁶⁾	2 x 40		4 x 40	
Water consumption ⁽⁷⁾ [l/h]	39,2	52,2	65,2	104,4	130,2
Water flow rate ⁽⁸⁾ [l/min]	4,1 / 23,3			2 x 4,1 / 23,3	
Max. filling capacity [l]	36,0			71,4	
Empty weight [kg]	36,0	37,0		80,0	
Operation weight [kg]	72,5	73,5		151,9	
Width ⁽⁹⁾ [mm]	640			1170	
Height ⁽⁹⁾ [mm]	785				
Depth ⁽⁹⁾ [mm]	420				
Water connection	fully demineralised water / cleaned condensate / partially softened tap water of varying qualities 1 to 10 bar, 1 to 10 bar, for 3/4" external thread				
Drain water connection	Connection Ø 1 1/4"			2x Connection Ø 1 1/4"	

⁽¹⁾ Other voltages upon request. ⁽³⁾ Internal control voltage upon request. ⁽⁶⁾ Incl. Y-piece DN40

⁽⁷⁾ Maximum water consumption at 100% demand plus blowdown losses.
The water consumption depends on the water quality and installed options.

⁽⁸⁾ Flow rate of the feed water during refilling or pumping out. Unit without options / maximum rate with options.

⁽⁹⁾ Outer dimensions of width and depth. Height incl. drain connection.

⁽¹¹⁾ Units with production date January 2022 and earlier: 540 mm

FLH-Spa

Technical specifications FlexLine heater						
Unit type	FLH03	FLH06		FLH09	FLH15	FLH25
Steam output [kg/h]	2,7 - 3,0 - 3,3	5,5 - 6,0 - 6,5		8,2 - 9,0 - 9,8	13,7 - 15,0 - 16,4	22,7 - 25,0 - 27,1
Electrical connection ⁽¹⁾	220 - 230 - 240V /1Ph /50-60Hz		220 - 230 - 240V /1Ph /N /50-60Hz		380 - 400 - 415V /3Ph /50-60Hz	
Rated power [kW]	2,1 - 2,3 - 2,4	4,1 - 4,5 - 4,9		6,2 - 6,8 - 7,3	10,3 - 11,4 - 12,3	17,1 - 18,9 - 20,3
Nominal current [A]	9,4 - 9,8 - 10,2	18,7 - 19,6 - 20,4	10,7 - 11,3 - 11,7	16 - 16,9 - 17,5	15,6 - 16,5 - 17,1	25,9 - 27,3 - 28,3
Fuse [A]	1 x 16	1 x 25	3 x 16	3 x 20		3 x 32
Terminals max. [mm ²]	4			10		
Number of steam cylinder	1					
Control	FlexLine mainboard with capacitive 3.5" touch colour display					
Separate control voltage ⁽³⁾	220 - 240V 2,5A					
Steam hose connection [mm]	1 x 40					
Water consumption ⁽⁷⁾ [l/h]	4	7,8		11,6	20	32,6
Water flow rate ⁽⁸⁾ [l/min]	1,3 / 20,5			2,8 / 22,0		
Max. filling capacity [l]	4,8			14,0		
Empty weight [kg]	18,0	19,0	18,0		25,0	
Operation weight [kg]	23,3	24,3	23,3		39,5	
Width ⁽⁹⁾ [mm]	460 ⁽¹¹⁾				540	
Height ⁽⁹⁾ [mm]	535				695	
Depth ⁽⁹⁾ [mm]	320					
Water connection	fully demineralised water / cleaned condensate / partially softened tap water of varying qualities 1 to 10 bar, 1 to 10 bar, for 3/4" external thread					
Drain water connection	Connection Ø 1 1/4"					

Technical specifications FlexLine heater					
Unit type	FLH30	FLH40	FLH50	FLH80	FLH100
Steam output [kg/h]	27,4 - 30,0 - 32,7	36,5 - 40,0 - 43,5	45,5 - 50,0 - 54,3	72,9 - 80,0 - 87,0	91,0 - 100,0 - 108,5
Electrical connection ⁽¹⁾	380 - 400 - 415V /3Ph /N /50-60Hz				
Rated power [kW]	20,6 - 22,8 - 24,5	27,3 - 30,3 - 32,6	34,1 - 37,8 - 40,7	2 x 27,3 - 30,3 - 32,6	2 x 34,1 - 37,8 - 40,7
Nominal current [A]	31,2 - 32,9 - 34,1	41,5 - 43,7 - 45,4	51,8 - 54,6 - 56,6	2 x 41,5 - 43,7 - 45,4	2 x 51,8 - 54,6 - 56,6
Fuse [A]	3 x 35	3 x 50	3 x 63	2 x 3 x 50	2 x 3 x 63
Terminals max. [mm ²]	10	35			
Number of steam cylinder	1			2	
Control	FlexLine mainboard with capacitive 3.5" touch colour display				
Separate control voltage ⁽³⁾	220 - 240V 2,5A				
Steam hose connection [mm]	1 x 40 ⁽⁶⁾	2 x 40		4 x 40	
Water consumption ⁽⁷⁾ [l/h]	39,2	52,2	65,2	104,4	130,2
Water flow rate ⁽⁸⁾ [l/min]	4,1 / 23,3			2 x 4,1 / 23,3	
Max. filling capacity [l]	36,0			71,4	
Empty weight [kg]	36,0	37,0		80,0	
Operation weight [kg]	72,5	73,5		151,9	
Width ⁽⁹⁾ [mm]	640			1170	
Height ⁽⁹⁾ [mm]	785				
Depth ⁽⁹⁾ [mm]	420				
Water connection	fully demineralised water / cleaned condensate / partially softened tap water of varying qualities 1 to 10 bar, 1 to 10 bar, for 3/4" external thread				
Drain water connection	Connection Ø 1 1/4"			2x Connection Ø 1 1/4"	

⁽¹⁾ Other voltages upon request.

⁽³⁾ Internal control voltage upon request.

⁽⁶⁾ Incl. Y-piece DN40

⁽⁷⁾ Maximum water consumption at 100% demand plus blowdown losses.

The water consumption depends on the water quality and installed options.

⁽⁸⁾ Flow rate of the feed water during refilling or pumping out. Unit without options / maximum rate with options.

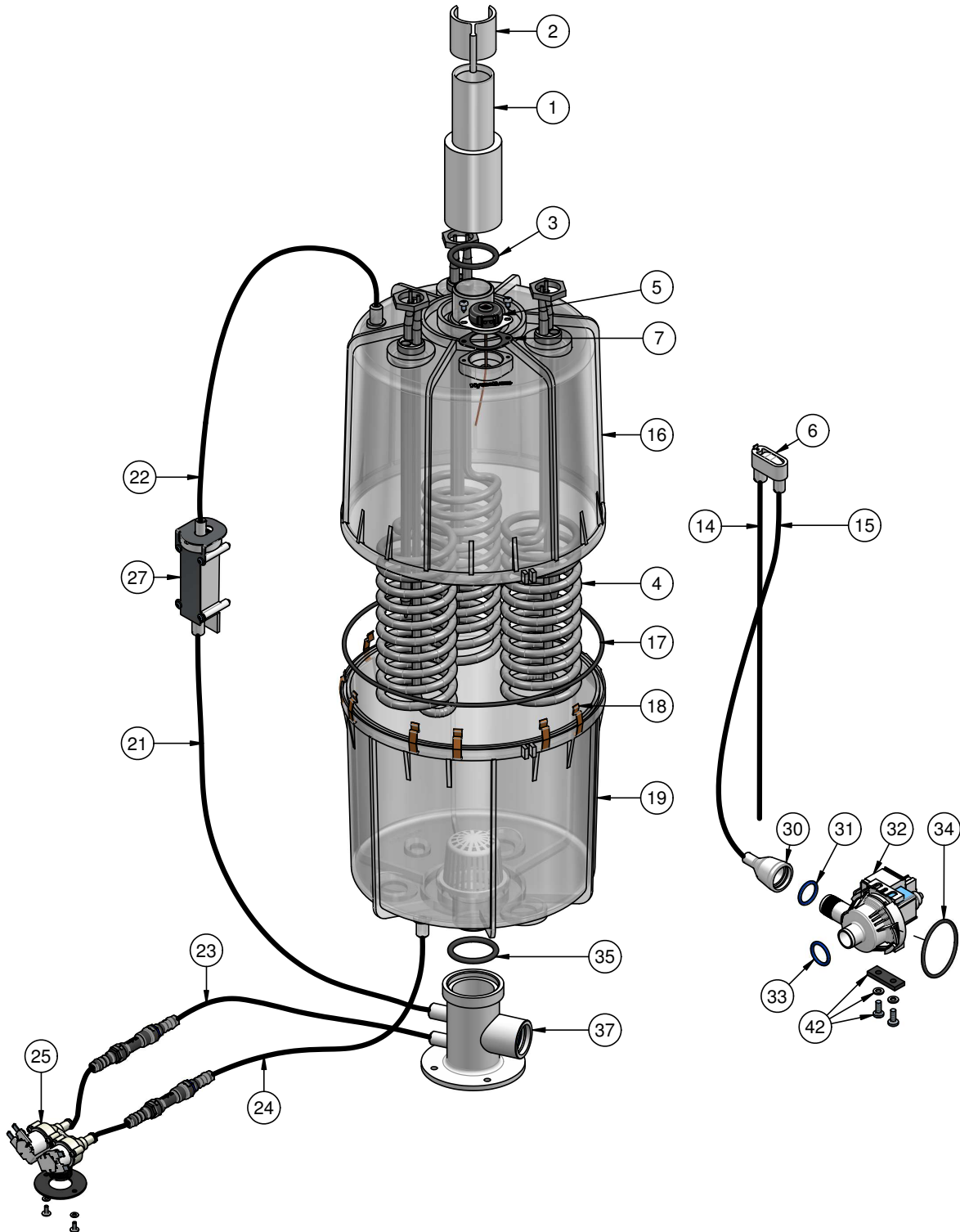
⁽⁹⁾ Outer dimensions of width and depth. Height incl. drain connection.

⁽¹¹⁾ Units with production date January 2022 and earlier: 540 mm

14. Exploded view

The figure following shows the FLH model composition. The number of cylinders and heater elements vary with respect to the complete FLH series.

The index numbers in the figure correspond to the spare parts list.

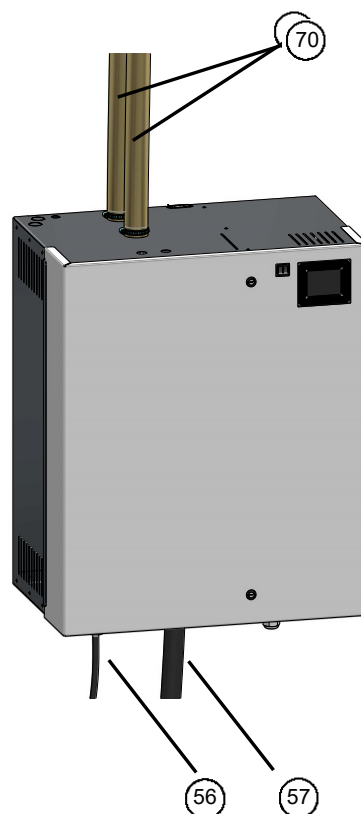


15. View of housing

FLH03 - FLH25



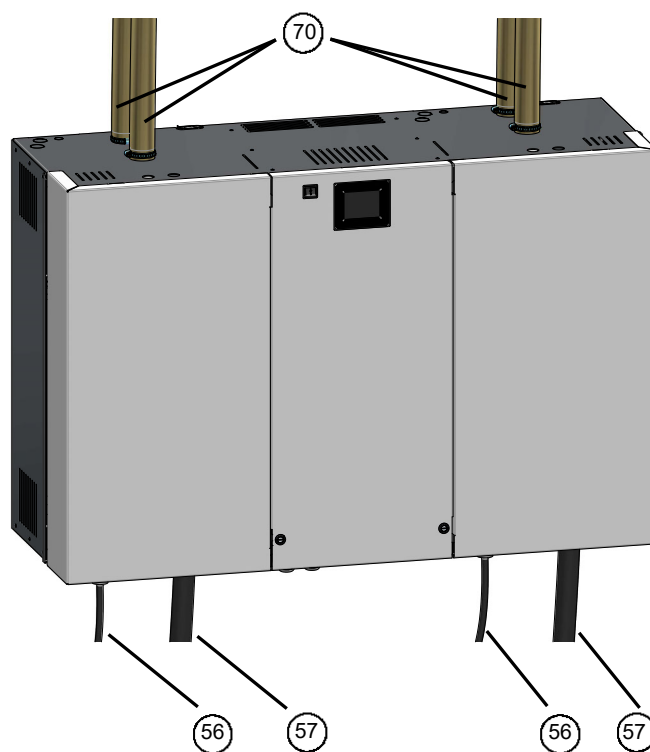
FLH40, FLH50



FLH30



FLH80, FLH100



HygroMATIK®

Lise-Meitner-Str.3 • D-24558 Henstedt-Ulzburg
Phone +49(0)4193/ 895-0 • Fax -33
eMail hy@hygromatik.de • www.hygromatik.com
member of **CAREL Group**

