

Electric Heater Steam Humidifier

HeaterLine



HL.EN
E-8881108

Certain computer programs contained in this product [or device] were developed by HygroMatik GmbH ("the Work(s)").

© Copyright HygroMatik GmbH

HeaterLine [21.07.2017]

Current version of this manual can be found at: www.hygromatik.co.uk

All rights reserved.

HygroMatik GmbH grants the legal user of this product [or device] the right to use the Work(s) solely within the scope of the legitimate operation of the product [or device]. No other right is granted under this licence. In particular and without prejudice to the generality of the foregoing, the Work(s) may not be used, sold, licensed, transferred, copied or reproduced in whole or in part or in any manner or form other than as expressly granted here without the prior written consent of HygroMatik GmbH.

Information in this manual is subject to change or alteration without prior notice.

⚠ WARNING**Risk of electrical shock!**

Hazardous electrical high voltage!

All electrical work to be performed by certified expert staff (electricians or expert personnel with equivalent training) only.

1. Introduction	5
1.1 Typographic Distinctions	5
1.2 Documentation	5
1.3 Intended Use	6
2. Safety Instructions	7
2.1 Guidelines for Safe Operation	7
2.1.1 General	7
2.1.2 Unit control	7
2.1.3 Unit operation	7
2.1.4 Mounting, dismantling, maintenance and repair of the unit	8
2.2 Electrical	9
2.2.1 Disposal after dismantling	9
3. Transport	10
3.1 Overview	10
3.2 Transport Size and Weigth	10
3.3 Packing	11
3.4 Interim Storage	11
3.5 Check for Complete and Correct Delivery of Goods	11
3.6 Included in the Delivery	11
4. Operation and Installation	12
4.1 Mode of Action	12
4.2 Installation and Method of Operation	12
4.3 Internal Output Setting	14
5. Installation	15
5.1 Steam Humidifier - environmental conditions	15
5.1.1 Fitting Measures	17
5.1.2 Equipment Dimensions HL 06-45	18
5.2 Fan Unit (option)	19
5.3 Absorption Distance BN	21
5.3.1 Determining the Absorption Distance	21
5.3.2 Absorption Distance Nomogram	23
5.4 Steam Manifold	24
5.4.1 Notes on Installation	24
5.5 Cover Plates	28
5.6 Drill Pattern	29
5.6.1 Drill Pattern DN25 (not to scale)	29
5.6.2 Drill Pattern DN40 (not to scale)	30
5.7 Steam Line	31
5.7.1 Types of Installation	32
5.8 Condensate Hose	34
5.9 Steam Solenoid Valves	36
5.10 Chimney-compartment	37
5.11 Unit Installation Check	37

6. Water Installation	38
6.1 Water Quality	39
6.2 Water Supply (For Operation with Demineralized Water or Purified Condensate)	39
6.3 Water Supply (For Operation with Tap Water or Partially/Fully Softened Water)	40
6.4 Feed from Holding Tank	41
6.5 Water Treatment	42
6.6 Water Discharge	42
6.7 Water Connection Installation Checklist	43
7. Electrical Installation	44
7.1 Electrical Installation	44
7.2 Cable Connections	45
7.3 Control Connection	45
7.4 Fan Unit	46
7.5 Safety Interlock	46
7.6 Wiring Diagram	47
7.7 Electrical Installation Checklist	47
8. Commissioning	48
9. Maintenance	50
9.1 Maintenance for Operation with Demineralized Water / Condensate	51
9.2 Maintenance for Operation with Tap Water or Partially Softened Water	52
9.3 Access to Control Unit	53
9.4 Cleaning the Cylinder Base and the Coarse Strainer	53
9.5 Cleaning Steam Cylinder and Heater Elements	55
9.6 Cleaning Connection Hoses, Cylinder Base Connections, Steam Hose Adapter Nozzle ..	56
9.7 Replacing Heater Elements	56
9.8 Replacing Thermo Sensor (for Heater Element)	57
9.9 Replacing Sealing for Heater Element	58
9.10 Cleaning of the Control Cylinder	59
9.11 Unlocking of a Released Thermo Sensor (for heater element)	59
9.12 Unlocking of a Released Thermo Sensor (for Solid State Relay)	59
9.13 Unlocking of a Released Thermo Sensor (cylinder cover)	59
9.14 Cleaning Blow-Down Pump	60
9.15 Removing the Inlet Solenoid Valve and Cleaning the Fine Mesh Filter	61
9.16 Checking Cable Screw Connections, Heater Elements and Wires	62
9.17 Operational Check	63
9.18 Dismantling	63
10. EC-Declaration of Conformity	64
11. Spare Parts	65
12. Technical Specifications	70
13. Exploded View	72
14. View of Cabinet	73

1. Introduction

Dear Customer,

Thank you for choosing a HygroMatik steam humidifier.

HygroMatik steam humidifiers represent the latest in humidification technology.

They will impress you with their safety, ease of use and economical operation.

In order to operate your HygroMatik steam humidifier safely, properly and efficiently, please read these operating instructions.

Employ your steam humidifier only in sound condition and as directed. Consider potential hazards and safety issues and follow all the recommendations in these instructions.

If you have additional questions, please contact us:

Tel.: +49-(0)4193 / 895-0 (Main Number)

Tel.: +49-(0)4193 / 895-293 (Technical Support Hotline)

Fax: +49-(0)4193 / 895-33

e-mail: hotline@HygroMatik.de

For all technical questions or spare parts orders, please be prepared to provide unit type and serial number (see name plate on the unit).

1.1 Typographic Distinctions

- preceded by a bullet: general specifications.
- » preceded by an arrow: Procedures for servicing or maintenance which should or must be performed in the indicated order.
- Installation step which must be checked off.
- italics* Terms used with graphics or drawings.

1.2 Documentation

Retention

Please retain these operating instructions in a secure, always accessible location. If the product is resold, turn the documentation over to the new operator. If the documentation is lost, please contact HygroMatik.

Versions in Other Languages

These operating instructions are available in several languages. If interested, please contact HygroMatik or your HygroMatik dealer.

1.3 Intended Use

The HygroMatik steam generator serves for steam production based on various water qualities or partially softened water (valid for all of the HygroMatik humidifier models). With the HeaterLine, HeaterCompact/Kit and HeaterSlim family of products, also fully desalinated water/cleaned condensate may be used.

▲ WARNING

Risk of scalding!

Steam with a temperature of 100°C is produced.
Do not inhale directly.

Only qualified and authorised personnel may operate the unit. Persons transporting or working on the unit must have read and understood the respective parts of the Operation and Maintenance Instruction and especially chapter 2, „Safety Notes“. Additionally, operating personnel must be informed of any possible dangers. You should place a copy of the Operation and Maintenance Instruction at the unit's operational location (or near the unit).

The steam humidifier is not qualified for exterior installation.

2. Safety Instructions

These safety instructions are required by law. They promote workplace safety and accident prevention.

2.1 Guidelines for Safe Operation

2.1.1 General

Comply with the accident prevention regulation „DGUV Regulation 3“ to prevent injury to yourself and others. Beyond that, national regulations apply without restrictions.

2.1.2 Unit control

Do not perform any work which compromises the safety of the unit. Obey all safety notes and warnings present on the unit.

In case of a malfunction or power grid disruption, switch off the unit immediately and prevent a restart. Repair malfunctions promptly.

▲ WARNING

Restricted use.

This unit is not designed for the use by persons (also children) with limited physical, sensory and mental abilities - or without knowledge and experience - unless they are supervised or trained by a person, who is responsible for their safety. Supervise children in order to ensure that they will not play with the unit.

2.1.3 Unit operation

▲ WARNING

Risk of scalding!

In case of leaking or defective components, hot steam may exit in an uncontrolled manner.

In case of malfunction or electrical power disruption, switch off the unit immediately and prevent from restart.

NOTICE

Risk of material damage! The unit may be damaged if switched on repeatedly following a malfunction without prior repair. Rectify defects immediately!

The unit must not be operated on a DC power supply.

The unit may only be used connected to a steam pipe that safely transports the steam (not valid device type MiniSteam).

Regularly check that all safety and monitoring devices are functioning normally. Do not remove or disable safety devices.

2.1.4 Mounting, dismantling, maintenance and repair of the unit

NOTICE

The HygroMatik steam humidifier is IP20 protected. Make sure that the unit is not object to dripping water in the mounting location.

When installation is made in a room without a drain, safety precautions must be taken in order for to shut off the humidifier's water supply in event of a leak.

Use genuine spare parts only.

After any repair work, have qualified personnel check the safe operation of the unit.

Attaching or installing of **additional components** is permitted only with the **written consent** of the manufacturer.

2.2 Electrical

▲ WARNING

Risk of electrical shock! Hazardous electrical high voltage. Any work on the electrical system may only be performed by qualified personnel. Disconnect unit components from electrical power supply prior to work. After electrical installation or repair work, test all safety mechanisms (such as grounding resistance).

NOTICE

Use only original fuses with the appropriate amperage rating. Regularly check the unit's electrical equipment. Promptly repair any damage such as loose connections or burned wiring. Responsibility for intrinsically safe installation of the HygroMatik steam humidifiers (steam generators) is incumbent on the installing specialist company.

2.2.1 Disposal after dismantling

NOTICE

The operator is responsible for the disposal of unit components as required by law.

3. Transport

3.1 Overview

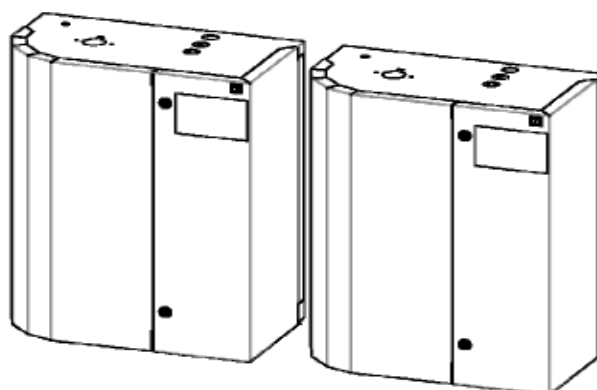
Please note Proceed carefully when transporting the steam humidifier in order to prevent damage from rough or careless loading and unloading.

3.2 Transport Size and Weigth

Type*	Heigth [cm]	depth [cm]	width [cm]	weigth [kg]
HL 6	93	42	74	39
HL 9	93	42	74	39
HL 12	93	42	74	40
HL 18	93	42	74	40
HL 24	93	42	74	42
HL 27	93	42	74	42
HL 30	95	48	80	50
HL 36	95	48	80	49
HL 45	95	48	80	50

* Dimensions and weigths can vary insignificantly

The heating element humidifiers type **HeaterLine 60-90** are double units - they consist of two separate units.



HL 60 = HL 30 + HL 30 (Slave)
 HL 70 = HL 36 + HL 36 (Slave)
 HL 80 = HL 45 + HL 36 (Slave)
 HL 90 = HL 45 + HL 45 (Slave)

3.3 Packing

Please note Observe the symbols affixed to the box.

3.4 Interim Storage

Keep the unit dry and protect from frost.

3.5 Check for Complete and Correct Delivery of Goods

Upon receipt of the unit, make sure that:

- type and serial number on the name plate match what is in the purchasing and delivery documents,
- equipment is complete and in perfect condition.

Please note In case of damage during shipment and/or missing parts, immediately file a written claim with your carrier or supplier.

Time limits for filing freight claims with shipping companies are*:

Transport Company	After Receipt of Goods
Carriers	4 days at the latest
Parcel Service	immediatly

* Subject to change without prior notice.

3.6 Included in the Delivery

The delivery includes:

- Unit of the selected humidifier type including selected control.
- Water installation hose.
- Manuals for the steam humidifier and the control.
- Ordered accessories (steam manifold, steam hose, condensate hose, etc.).
- Maintenance o-ring set for steam cylinder.

4. Operation and Installation

4.1 Mode of Action

The Imersion Heater Principle

One to five heater elements (8) are placed in a closed cylinder and connected to alternating current. The cylinder (9) is filled with tap water, fully demineralized water or partially softened water. Heat generated by the heater elements increases water temperature to approx. 100°C.

When fully demineralized water is used, the feed water is practically free of minerals. This ensures long life for the cylinder and heater elements since virtually no mineral deposits can settle or build up. Fully demineralized water minimizes the number of service / maintenance checks.

When tap water is used, some of the minerals dissolved in the water will settle in the cylinder as solids of various compositions. Most of these scale deposits are removed by periodic flushing or use of a heavy-duty blow-down pump. See section "Servicing During Operation with Tap Water".

The generated steam has a temperature of about 100°C and minimal positive pressure ("pressureless" steam). It is virtually demineralized and germ-free.

4.2 Installation and Method of Operation

By pressing the control switch („Pos. I") the humidifier will be turned on.

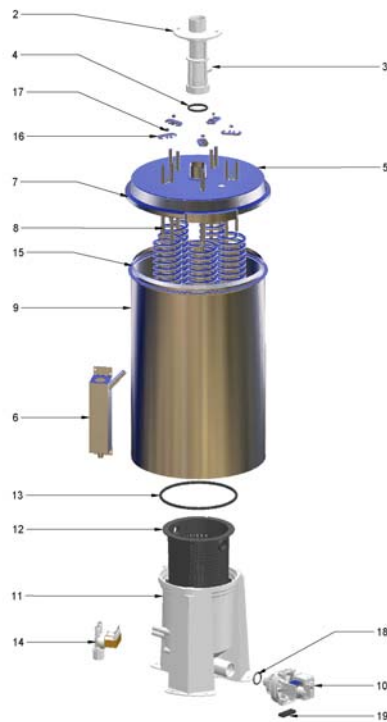
When the hygrostat or controller signals a demand for humidification, the inlet solenoid valve (14) opens. The solenoid valve is designed for pressures from 100×10^3 to 100×10^4 Pascals (1 to 10 bar).

Water is fed into the cylinder (9).

The water level in the cylinder must be maintained within a specified range. If the water level is too high, the elbow acts as a safety overflow for water drainage. If the water level is too low, it could cause the heater elements (8) to overheat. Therefore, power supply to the heater elements is shut off when water levels are too low.

The cylinder water level is controlled by a level control (6). The level control consists of a stainless steel cylinder with two float switches and three reed contacts. The float switches indicate the water level in the steam cylinder: "Dry Run", "Humidification" and "Max. Level". The control capsule is pressure-equalized.

At the standard setting, the inlet solenoid valve (14) opens when the water level remains below “humidification” level for 10 seconds. The water level then rises again to “humidification” level.



Position	Description
2	Steam hose adapter
3	Connection control capsule
4	O-ring, steam hose adapter
5	Cover, cylinder
6	Control capsule / Water level control
7	Clamping ring
8	Electrical Heater
9	Cylinder
10	Blow-down pump
11	Base
12	strainer insert
13	O-ring, base
14	Water inlet solenoid valve
15	O-ring, base
16	Pressure plate for heater elements

For more information, also see section “Exploded View.”

The steam cylinder (9) is made of stainless steel. The cover (5) is attached to the steam cylinder using a clamping ring (7). Up to 5 heater elements (8) are mounted on the cover.

The heater elements are equipped with a mechanical high temperature safety. This mechanism provides a redundant safety system in the event of excessively low water levels (“Dry Run”).

The cylinder water is periodically flushed out with a heavy-duty blow-down pump (10). Hygromatik’s SUPER FLUSH system effectively assists this operation. The SUPER FLUSH mechanism generates a strong whirlpool effect in the strainer basket which aids removal of scale deposits during the blow-down process. During this procedure, steam production is interrupted for a few minutes.

Steam is fed into air-conditioning ducts through special steam hoses and steam manifolds. Under normal conditions, this steam has virtually no heating effect on the air to be humidified. Accumulated condensate can be returned to the steam cylinder via a condensate hose.

Direct room humidification (without ducts) is performed using fan units (with blower and nozzle). The steam generator is connected to the fan unit with steam and condensate hoses.

Steam lines in steam bath cabins employ special steam hoses and piping (if required). Accumulated condensate is normally routed into the steam cabin. At a relative humidity of 100%, the supplied steam is used to heat the steam bath.

For maintenance the cylinder can be drained by pressing the control switch „Pos.II”.

4.3 Internal Output Setting

Continuous control of the HeaterLine Type steam humidifier is achieved by proportional control of the heater elements. In this way the humidifier can be proportionally operated across the entire output range of 5% - 100% nominal capacity.

5. Installation

⚠ WARNING

Installation of this unit to be accomplished only by qualified personnel (persons with completed training in the plumbing field and in the field of electrical installation work, respectively) !

Obey all safety notes and warnings present on the unit.

⚠ WARNING

Risk of electrical shock!

Hazardous electrical voltage.

During installation the unit must be disconnected from power supply.

HygroMatik accepts no liability for damage due to faulty installation.

Attaching or installing additional components is permitted only with the written consent of the manufacturer, or else the warranty is void.

⚠ WARNING

Risk of foot injuries!

Unit may drop during mounting involving a single person.

Helping hand of a second person is required.

5.1 Steam Humidifier - environmental conditions

Please note

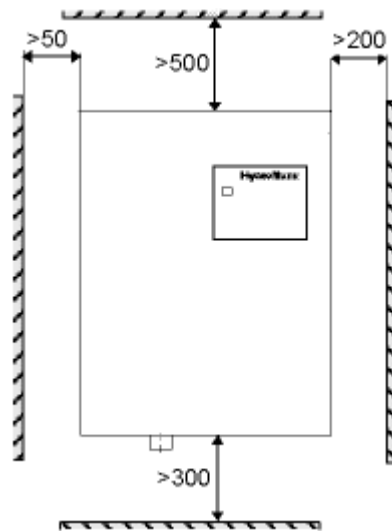
When selecting the location for steam humidifier installation, be aware of the following:

- Ambient temperature must be between +5 and +40 °C
- Observe clearances specified in the diagrams below to ensure adequate ventilation
- An Installation in a closed room requires aeration and if necessary temperature conditioning in order to reach the above mentioned environmental conditions
- HygroMatik humidifiers are not suitable for direct outdoor installation

- Install the steam humidifier as close as possible to the steam manifold. Use only short lengths of steam and condensate hose to ensure optimal performance
- The back surface of the steam humidifier heats up during operation (to max. 70°C). Take care that the construction on which the unit is mounted is not made of temperature-sensitive material
- Place the steam humidifier so that the unit is easily accessible with sufficient space to perform maintenance
- The unit's protection class is IP20

5.1.1 Fitting Measures

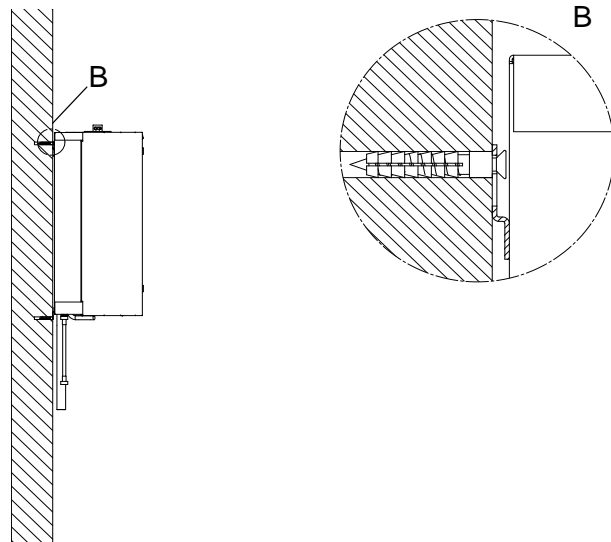
Wall clearance



(all dimensions in mm)

Please note When determining the steam humidifier positioning, make use of existing water connections (feed and drain).

Wall Mounting

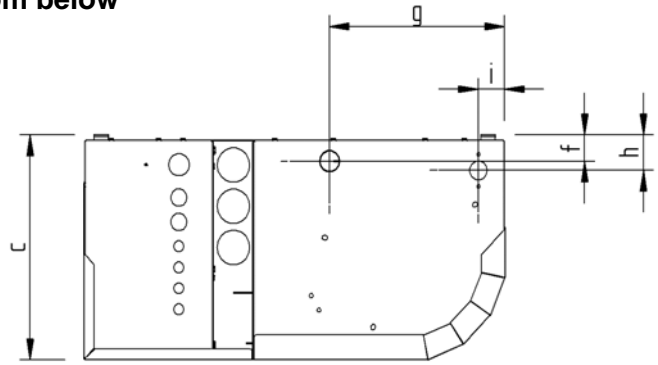


Please note Measures for drills for wall mounting please see table (measures d and e) in chapter „Equipment Dimensions“. If there is no suitable wall, it is recommended that the equipment is installed on brackets which can be embedded in the floor.

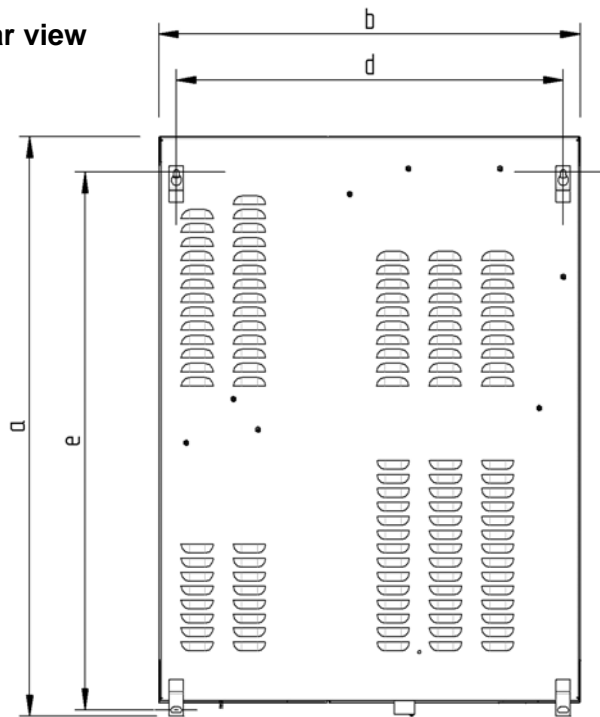
5.1.2 Equipment Dimensions HL 06-45

	HL 06-27	HL 30-45
a	831	855
b	644	688
c	322	392
d	591	634
e	771	795
f	38	38
g	268	310
h	51	51
i	40	40
j	167	197
k	161	204
l	76	76
m	41	83
n	56,5	56,5
o	18,5	18,5
all dimensions in mm		

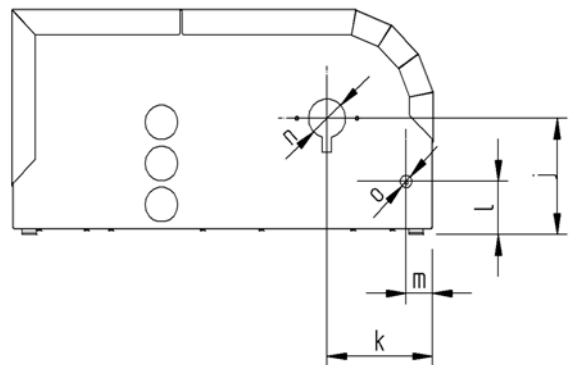
View from below



Rear view



View from top



5.2 Fan Unit (option)

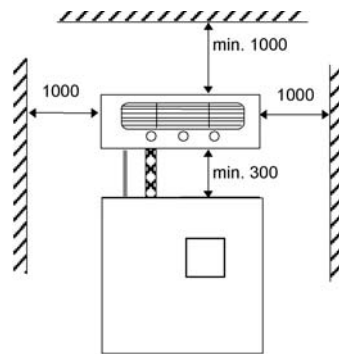
Please note

The fan unit should be positioned in a way that drafts are avoided. A minimum height of 2 m above floor is generally sufficient.

- Install the fan unit directly on a wall.

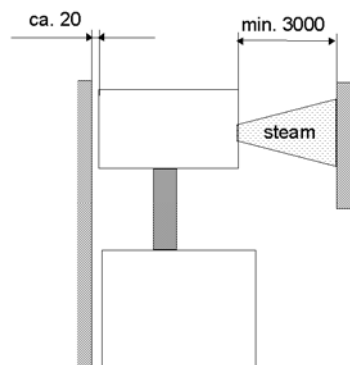
Type	Fan Unit
HL 6	VG 08
HL 9	VG 17
HL 18 - 30	VG 30
HL 36, 45, 60	2 x VG 30
HL 70, 80, 90	4 x VG 30

- The fan unit is installed above the steam humidifier
- When using multiple fan units, do not exceed a maximum distance of 5 m from the steam humidifier
- Observe the clearances specified in the diagrams below



(all dimensions in mm)

Fan unit, wall installation



Side view, wall-mounted fan unit

Technical Specifications Fan Unit VG				
Fan Unit		VG08	VG17	VG30
Quantity of Steam	[kg/h]	8	17	30
Steam Inlet	[mm ϕ]	25	25	40
Condensate Outlet	[mm ϕ]	14	12	12
Nominal Output	[W]	35	35	67
Nominal voltage	[V]	230	230	230
Dimensions				
	W [mm]	441	507	550
	H [mm]	171	171	171
	D [mm]	180	237	277
Weight	[kg]	4,5	6	7
Sound Level (1m distance to the source of noise)	[dB(A)]	50	57	59

⚠ WARNING

- During operation and some time afterwards the steam nozzle is hot! If touched burns to the skin may result
- During operation the cross-flow fan rotates. Do not touch the fan during operation!
- During operation hot steam discharges from the nozzle. In the field of the visible steam cloud contact can cause burns to the skin
- Due to improper installation or contamination hot water may drip from the nozzles. Do not reside in the area directly under the nozzles!

5.3 Absorption Distance B_N

The "absorption distance" (B_N) is defined as the distance from the steam feed to where the steam is completely absorbed in the treated air. Within the absorption distance, steam is visible as mist in the air stream.

Condensation may occur on anything installed within the absorption distance.

Although steam outside the absorption distance (B_N) is completely absorbed, it is not yet evenly diffused in the duct. If you plan to install any parts or devices inside the absorption distance, such as sensors or elbows, we recommend increasing the absorption distance using the formulae below. The absorption distances required for certain installed fittings are distinguished by separate symbols and calculated as a multiplier of the absorption distance B_N .

Absorption Distance	
B_N	for normal obstructions, such as sensors, ventilators, outlets
$B_c = (1,5...2) \times B_N$	for fine filters, heat registers
$B_s = (2,5...3) \times B_N$	for particle filters
$B_d = (3...5) \times B_N$	for humidity sensors, duct humidistats

The absorption distance has no fixed value, but depends on many factors. These are depicted in the absorption distance nomogram below.

5.3.1 Determining the Absorption Distance

To determine the absorption distance, the following parameters are required:

- Air humidity before humidification x_1 in g/kg.
- Air temperature after humidification t_2 in °C (with steam humidifiers the change in air temperature due to humidification may be disregarded t_1 or t_2).
- Specific increase in humidity Δx in g/kg (can be determined in the h,x diagram)
- quantity of steam introduced $\overset{o}{m}_D$ in kg/h.
- air speed w_L in m/s in air duct
- Total length l_D of the steam manifold installed in the air duct

Length l_D of the usable steam manifold depends on the dimensions of the air duct. The length of the absorption distance can be reduced by using multiple steam manifolds (also see section on the steam manifold).

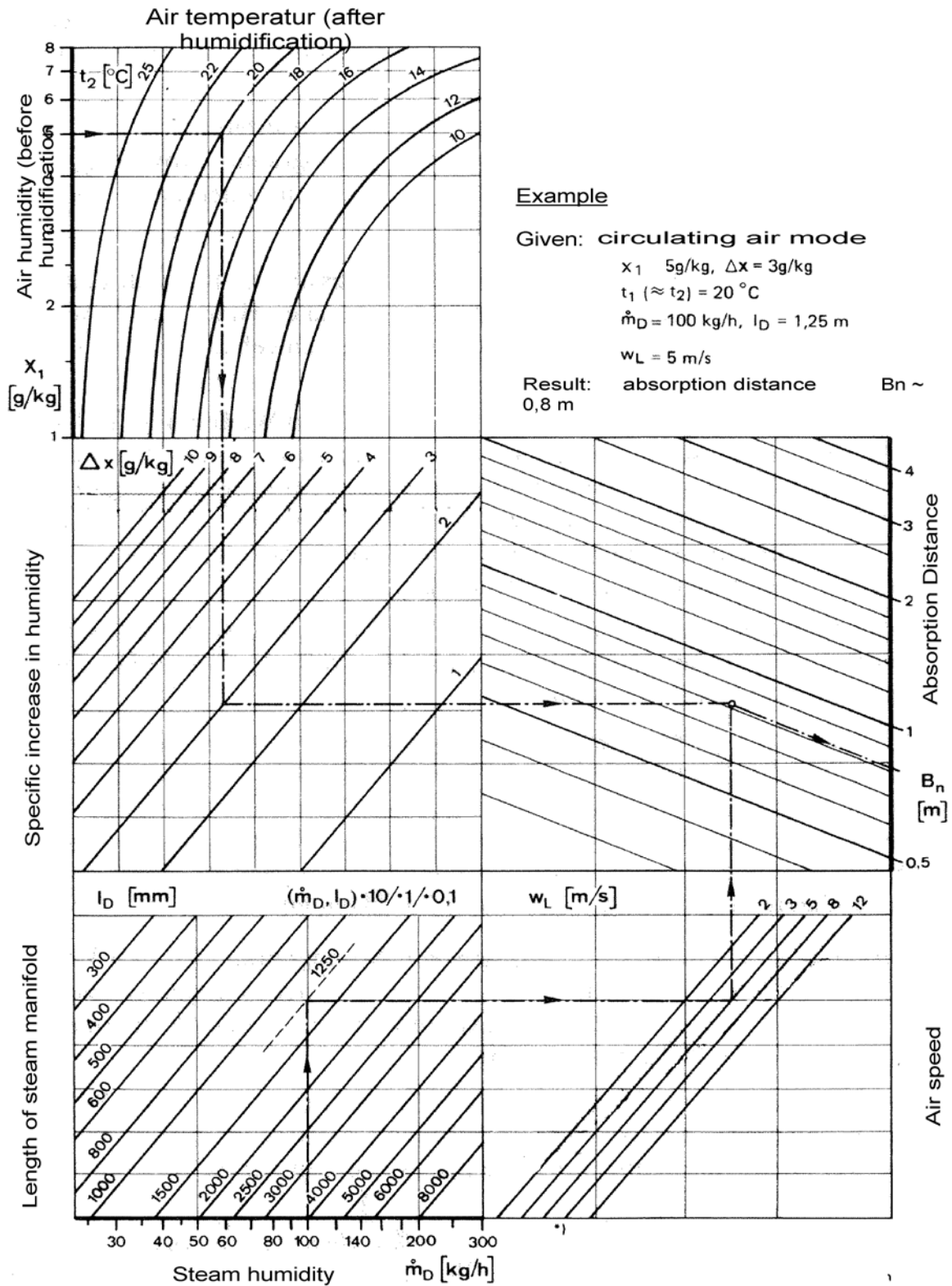
Method:

Graphically determine absorption distance B_N using the absorption distance nomogram (also see Section „Absorption Distance Nomogramm“). Enter the value of the parameters enumerated above into the respective quadrants. The resulting point of intersection indicates the value of the desired absorption distance B_N .

Notes:

Air humidity before humidification x_1 : _____ [g/kg]
Air temperature after humidification t_2 : _____ [°C]
Specific increase in humidity Δx : _____ [g/kg]
quantity of steam introduced m_D^o : _____ [kg/h]
air speed w_L : _____ [m/s]
Total length of the steam manifold l_D : _____ [mm]

5.3.2 Absorption Distance Nomogram



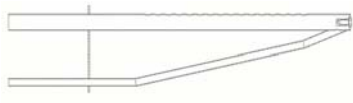
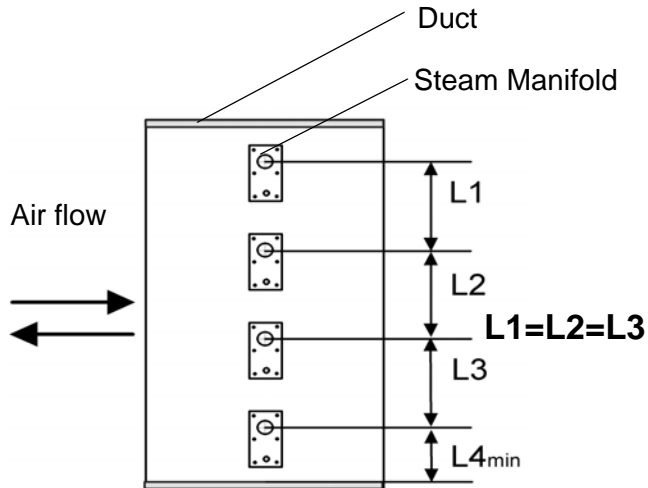
Source: Henne, Erich: Luftbefeuchtung (Air Humidification), 3rd Edition 1984 (Page 101), Oldenbourg Industrieverlag, Munich

5.4 Steam Manifold

5.4.1 Notes on Installation

Horizontal installation of steam manifold

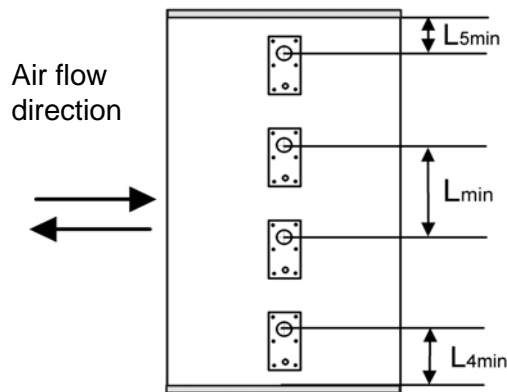
These notes are based on a homogeneous Standard steam manifold installation:



Steam Manifold

An even distribution of steam manifolds ensures a uniform steam distribution.

Please use the total height of the duct!

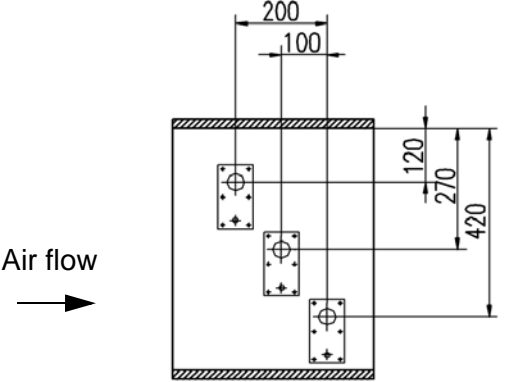
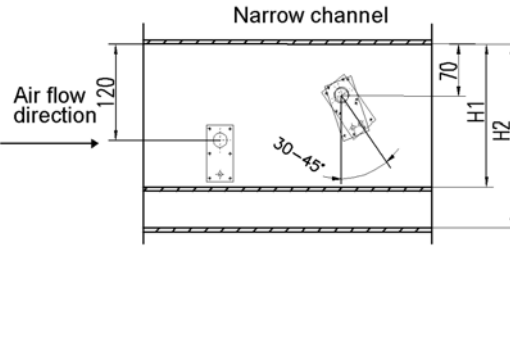


Minimum distances in order to avoid condensation:

L_{min} = 210mm: distance „ steam manifold - next steam manifold“

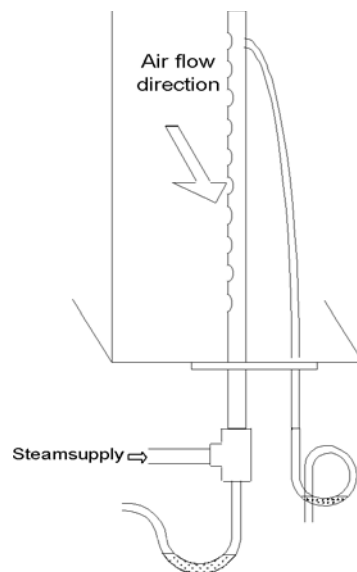
L_{4min} = 120mm: distance „lowest steam manifold - duct bottom“

L_{5min} = 120mm: distance „highest steam manifold - duct ceiling“
Installations depending on special designs of air ducts

Air duct	Positioning of steam manifolds	Sample
flat	Staggered vertically and laterally	
very flat	By tilting the steam manifold 30 - 45° towards the air flow direction, the minimum upper clearance can be reduced to 70mm. min. distances: H1[mm] H2[mm] 30° 45° DN25 182 168 225 DN40 193 179 230	very flat duct 
narrow, high	Identical lengths one on top of the other. Staggered laterally if possible.	
square	Identical lengths, staggered vertically and laterally	
low, very wide	facing each other	

Vertical installation of steam manifold

Steam manifold placement:



Horizontal installation of the steam manifolds is preferred. However, installation from below into the air duct is possible.

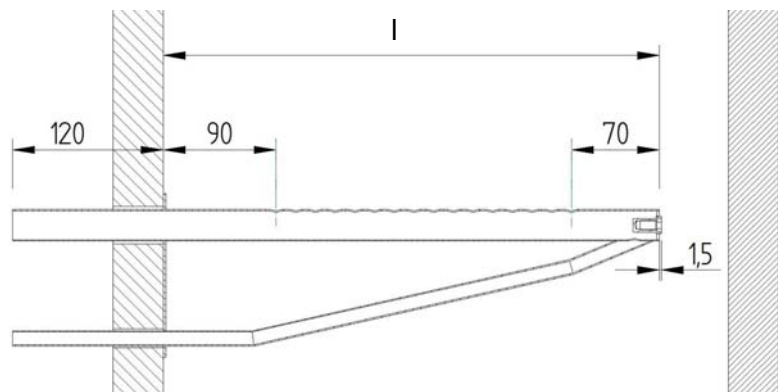
Please note

- Install the steam manifold horizontal with it ensure a clean steam out.
- Maximum allowable pressure in the air duct is 1200 Pa. For Hy05 and Hy08 the maximum allowable pressure is 1000 Pa.
- On the return side, the maximum allowable negative air pressure is 500 Pa. Placement of the steam manifold on the supply side of the air duct is preferred.
- With high-pressure air-conditioning systems, the unit's drain hose system must be modified depending on the over pressure. When this is the case please consult HygroMatik.
- Install the steam manifold as close as possible to the steam humidifier in order to minimize steam loss through condensation.
- Shown installation and position dimensions are based on experimental values. Special environmental conditions could require adjustments.
- Install a water drain within the absorption distance inside the air duct. For steam bath applications: Install the steam manifold safe from contact with people in order to prevent injuries or burns. Do not install the steam manifold near a temperature sensor or inaccurate readings may result. Air flow rates over 3m/s can possibly lead to condensate drainage problems at the steam manifolds which may require adaptation measures.

Length of steam manifold [mm]*:

I	220	400	600	900	1200	1450
DN25	x	x	x	x	x	x
DN40	x	x	x	x	x	x

* special lenght on request



installed steam manifold

The number and size of appropriate steam manifolds, as well as the nominal width of their respective steam and condensate hoses, are found in the tables below.

HyLine:

Type	Steam Manifold	Steam Hose	Condensate hose
HY05-HY17	1xDN25	DN25	DN12
HY05DS - HY17DS (for SPA)	1xDN40	DN40	DN12
HY23-HY30	1xDN40	DN40	DN12
HY45-HY60	2xDN40	2xDN40	2xDN12
HY90-HY116	4xDN40	4xDN40	4xDN12

CompactLine:

Type	Steam Manifold	Steam Hose	Condensate Hose
C01-C06	1xDN25	DN25	DN09
C06-C17	1xDN25	DN25	DN12
C10-DS, C17DS (for SPA)	1xDN40	DN40	DN12
C22, C30	1xDN40	DN40	DN12
C45**	2xDN40	DN40	DN12
C58	2xDN40	2xDN40	2xDN12

HeaterCompact/Kit:

Type	Steam Manifold	Steam Hose	Condensate Hose
HC02/Kit	1 xDN25	DN25	DN12
HC03-12*	1xDN25	DN25	DN12
HC03-12/Kit	1xDN40	DN40	DN12
HC16-27/Kit	1xDN40	DN40	DN12
HC3-27 (for SPA)	1xDN40	DN40	DN12

HeaterLine:

Type	Steam Manifold	Steam Hose	Condensate Hose
HL 6-12 *	1xDN25	DN25	DN12
HL 6-12 (for SPA)	1xDN40	DN40	DN12
HL 18-30	1xDN40	DN40	DN12
HL 36-45 **	2xDN40	1xDN40	1xDN12
HL 60-90 ***	2x(2xDN40)	2x(1xDN40)	2x(1xDN12)

CompactLineKit:

Type	Steam Manifold	Steam Hose	Condensate Hose
C01 Kit - C06 Kit	1x25	DN25	DN9
C10 Kit - C17 Kit	1x25	DN25	DN12
C22 Kit / C30 Kit	1x40	DN40	DN12
C45 Kit	2x40	DN40	DN12

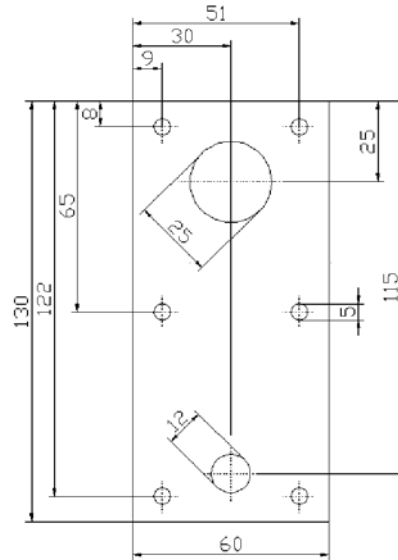
* For units HL 6 - 12 and HC3-12 HygroMatik delivers one adapter DN40 / 25 (but not for SPA applications).** For units HL 36 - 45 HygroMatik delivers one t-connector for separating the steam on two steam manifolds.

***HI 60.-90 are double units and consist of HI 30-45 units.

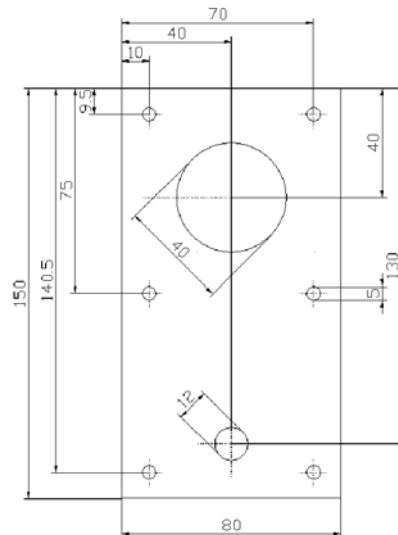
5.5 Cover Plates

HygroMatik flange plates may be used to neatly complete installation of the steam humidifier in the air duct.

Two-piece flange plates are available for the DN25 and DN40 steam manifolds.



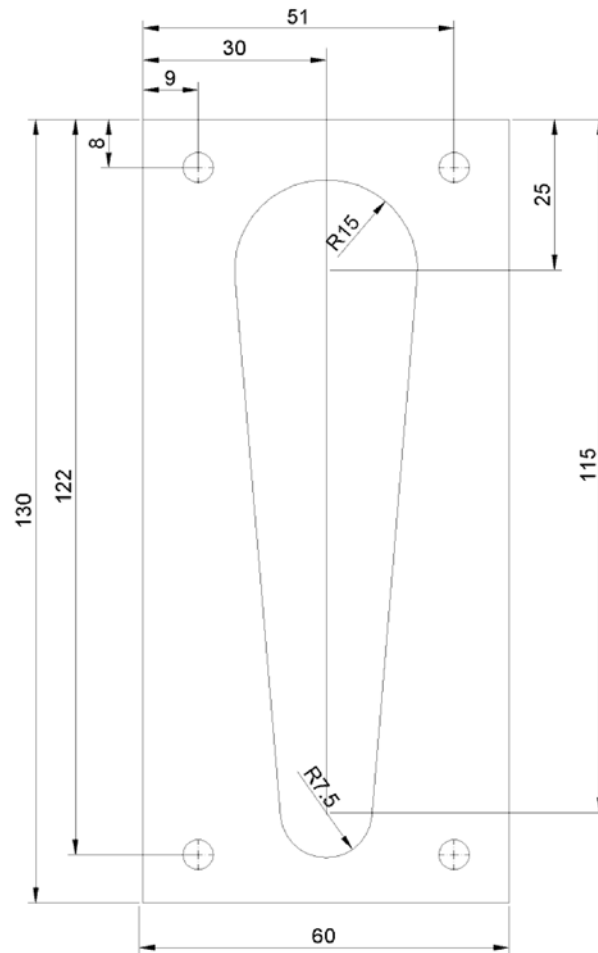
flange plate DN25 E-2604260



flange plate DN40 E-2604410

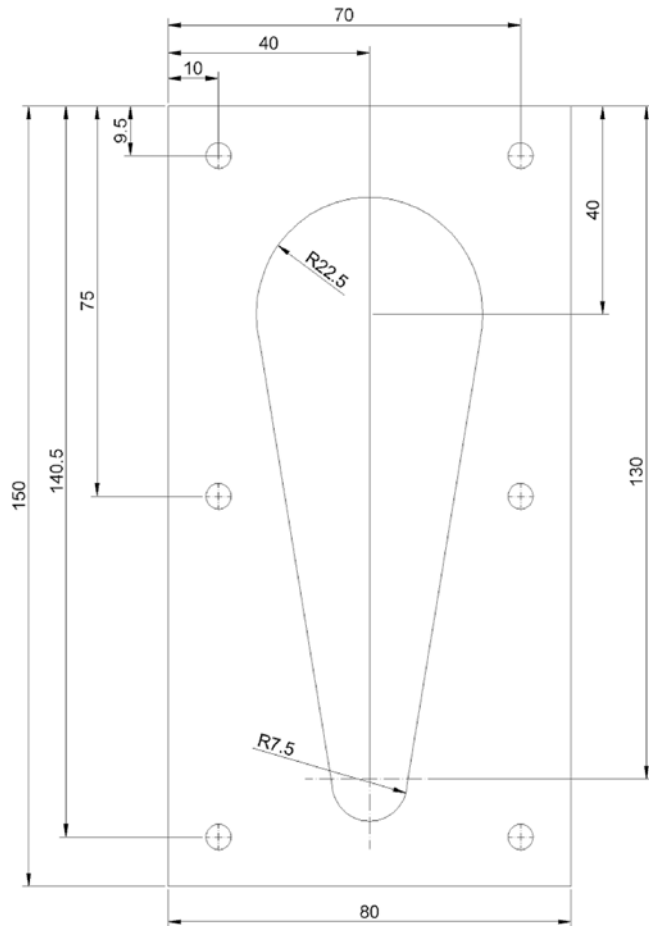
5.6 Drill Pattern

5.6.1 Drill Pattern DN25 (not to scale)



Please note Due to variable print media the dimensions are not to scale.

5.6.2 Drill Pattern DN40 (not to scale)



Please note Due to variable print media the dimensions are not to scale.

5.7 Steam Line

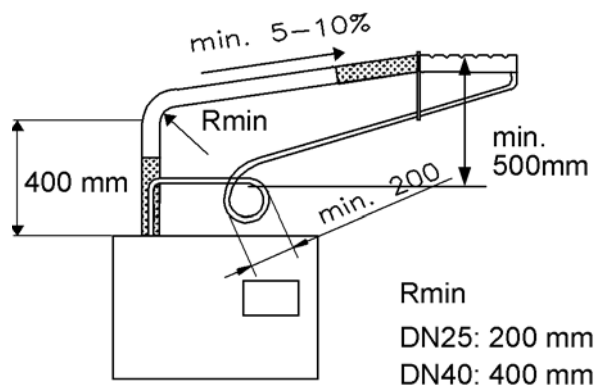
- Because of the high requirements on hose material under the operating conditions given, it is recommended to use genuine HygroMatik hoses only
- The steam hose diameter may not be smaller than the steam outlet of the HygroMatik steam humidifier (do not restrict the cross-section, otherwise back pressure will increase)
- The steam hose must be without sags and kinks and be laid with a continuous slope of 5-10% (otherwise sags will be formed)
- The steam hose should be as short as possible
- Run steam pipe lengths over 5m as hard piping
- The hose clamp for fixing the steam hose on the steam hose adapter should not be tightened too hard since the steam hose adapter is made of plastic
- In the case that steam output is distributed on two steam manifolds, the Y-pieces for the steam and condensate hose should be installed near the manifolds. If the installation is carried out in this way, since only one steam hose is necessary for the main part, loss of condensate will be decreased. In deviation of this the y-piece that is delivered ex works with a humidifier type C45, HL36, HL45 should be installed near the humidifier
- Depending on how the hose is laid, hose clips should be set at intervals of approx. 500 mm
- Allow easy access to the steam hose, so that it can be inspected later
- In case of straight lengths of several meters, it is recommended to lay the steam hose in temperature resistant plastic pipe (40 mm dia for hose DN25; 60 mm dia for hose DN40) or to use copper pipe
- Device output, steam line installation, and the duct itself all influence pressure condition in the duct. Such, in a particular situation, this could mean that optimisation of the steam line installation will be required
- Allow for minimum bending radii:
Steam hose DN25: $R_{min} = 200 \text{ mm}$
Steam hose DN40: $R_{min} = 400 \text{ mm}$

5.7.1 Types of Installation

Installation type 1

If the steam manifold is positioned higher than 500 mm above the steam humidifier:

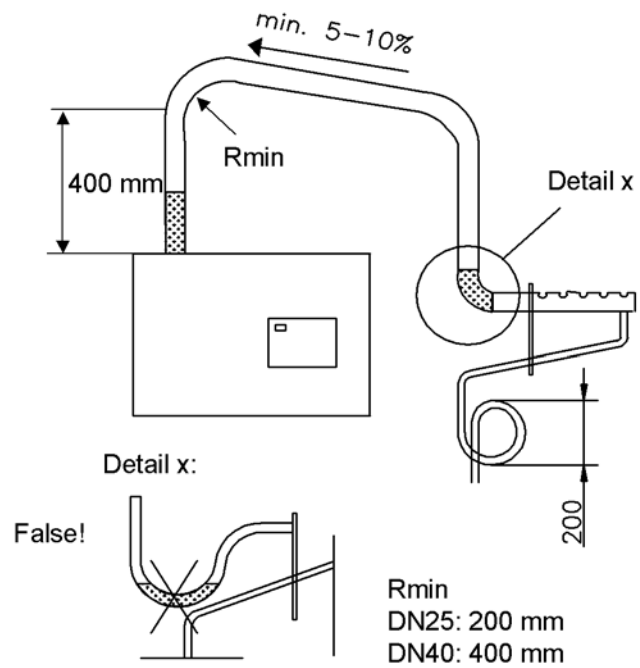
- » Lay the steam hose at a height of at least 400 mm above unit and then connect to the steam manifold with a constant rise or fall.
- » Lay condensate hose with a slope to the steam cylinder.
- » Lay a loop as a vapor trap. The steam manifold must be at least 500 mm from the loop. Fill loop with water before commissioning the system.



Installation type 2

If the steam manifold is positioned lower than 500 mm above the steam humidifier:

- » Lay steam hose at a height of at least 400 mm above unit and then connect to the steam manifold with a constant fall.
- » Lay condensate hose with a loop of 200 mm diameter (vapour trap) to the drain. The distance between vapour trap and steam manifold should have at least 500mm.



- » Lay the loop of condensate hose 200 mm directly above the drain.

5.8 Condensate Hose

NOTICE

To keep condensate from accumulating in the duct, make sure that condensate can drain freely.

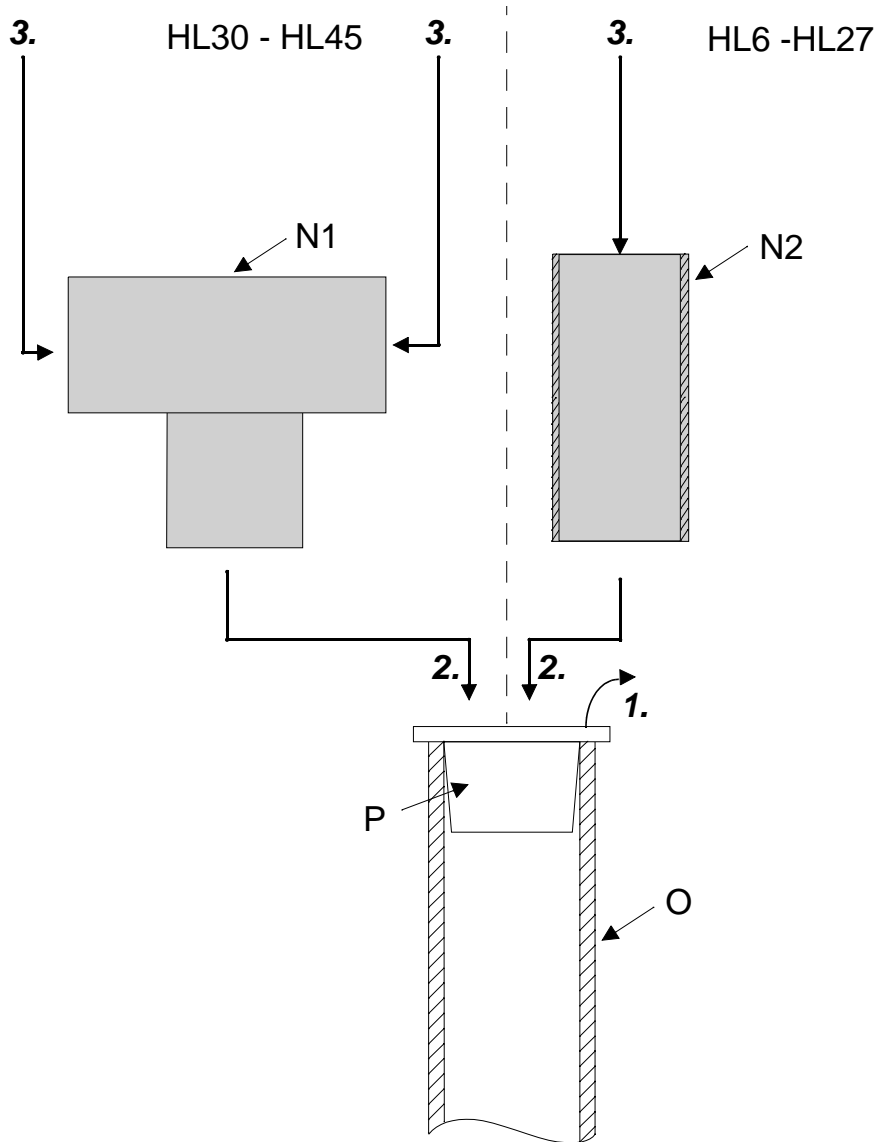
Installation Type 1

If the steam manifold is positioned higher than 500 mm above the steam humidifier:

- » Condensate may be led to the steam cylinder (alternatively the condensate may be led to an outlet). For that purpose please use a part set that is included in the delivery. The part set consists of component N1 (T-piece), N2 (hose clamps) and N3 (hose).
- » **1:** remove yellow condensate plug (P) from manual drain hose (O) (the manual drain hose is normally used to drain the cylinder when there is no power supply for the drain pump).
- » Lead the open end of the condensate hose through the hole in the top of the humidifier's cabinet.

Please note

- » **2.:** Depending on the type of HeaterLine humidifier it may be necessary to use one or two manifolds/condensate hoses. Therefore, there are two ways of connecting the condensate hose(s):
- » Using a HeaterLine humidifier type HL6/HL12/HL18/HL24 or HL27 (= 1 steam manifold required) the little stainless steel tube (N2) is connected to the manual drain hose (O). Please use a clamp. **3.:** Now the condensate hose is connected to the open end of the stainless steel tube (N2). To fasten the hose use clamp.
- » Using a HeaterLine humidifier type HL30 or HL45 (= 2 steam manifolds required), the middle outgoing of the T-piece (N1) is used for connection to the manual drain hose (O). Please use a clamp. **3.:** Both open outgoing of the T-Piece are now used to connect the two condensate hoses that come from the steam manifolds. Use clamps.



Connection condensate hose / hoses

- » Lay the condensate hose at an approximate incline of 5-10% to the steam cylinder connection fitting, to allow the condensate to drain freely.

Please note It is recommended to form a loop of 200 mm diameter as a vapour trap provided there is enough space. Possible operating noises can be reduced in this manner.

Installation type 2

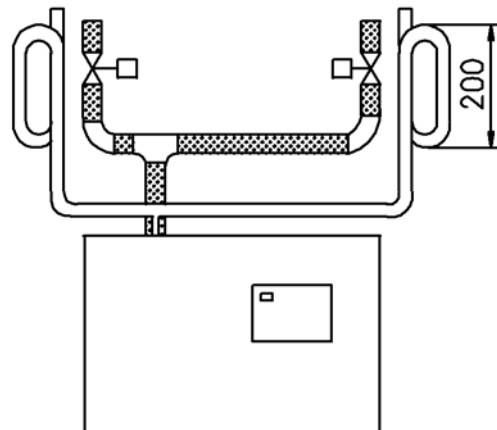
If the steam manifold is positioned lower than 500 mm above the steam humidifier:

- » The condensate must be drained separately.
- » To prevent steam loss, lay a loop at least 200 mm in diameter.
- » To ensure condensate drainage, place the loop (vapor trap) as far away as possible below the steam manifold connection.
- » The manual drain hose (O) must be closed with the stopper (P).
- » Place hose clamps at intervals of at least 500 mm, depending on how the hose is laid.

5.9 Steam Solenoid Valves

When humidifying a number of loads, which are to be controlled separately, using a single steam humidifier, steam solenoid valves can be included in the steam hoses. Valve control has to be provided by the customer.

- Install the vertical risers with flow from bottom to top.
- The best position is just above the steam humidifier.



Installation of Steam Solenoid Valves

5.10 Chimney-compartment

Between electrical compartment (right side) and steam production compartment (left side) the chimney compartment is located. The chimney compartment is used to cool electronic components. For proper function make sure that the three holes in the top side of the housing are not covered - otherwise the heat removal is too low and a thermal cutout could be triggered.

5.11 Unit Installation Check

⚠ WARNING

Improper unit handling hazard! This unit may only be brought into operation by qualified personnel.

Please check the installation using the following list:

- Does unit hang vertically?
- Are wall distances to the unit within the range?
- Does the steam hose have a slope of 5-10%?
- Was condensate hose installed with a loop of min. 200 mm?
- Was steam manifold positioned correctly?
- Are all bolts and clamps tightened?
- Was the steam manifold mounted horizontally?
- Are all sealings installed?
- Are the three holes in the top side of the housing not covered?

6. Water Installation

⚠ WARNING

Risk of scalding!

Very hot water on the humidifier drain side!

Have all work performed by professional staff (plumber or personnel with equivalent training) to avoid risk of scalding by inadequate water flow.

⚠ WARNING

Risk of electrical shock!

Hazardous electrical high voltage!

Before starting installation work ensure yourself that the unit is not connected to the power supply.

General rules

- Obey regulations of local public utilities
- Verify that necessary safety measures have been taken - in compliance with either German Technical and Scientific Association for Gas and Water (DVGW) guidelines (DIN EN1717) or local regulations - to eliminate backflow of polluted water into drinking water treatment facilities. If this is not the case, implementing of a system separator of at least the CA-type (when free discharge into drainage is supported) or of the DVGW-conform HyFlow system separator (retrofit option for installation by the customer) is required. For DIN EN 61770 compliance, the water intake within the humidifier features two double check valves (58)
- Water supply temperature must not exceed 40 °C
- Flushed-out water must be able to drain freely
- The water supply line must have a minimum diameter of DN 12 (3/8"). If (chemical) additives are present in the humidification water, health risks and/or impaired unit operation cannot be ruled out
- Use of additives is not advised unless specifically recommended by the unit manufacturer
- When employing demineralized water or purified condensate, do not use copper or brass in the supply or drain lines of the HeaterLine unit. These materials can be corroded by demineralized water or purified condensate. Instead, use stainless steel or temperature-resistant plastic pipes
- Water installation pressure: 1 to 10 bar (100×10^3 to 100×10^4 Pa)
- For water installation please use the water connecting hose that is delivered with the unit

6.1 Water Quality

The HeaterLine Type steam humidifier is designed for use with:

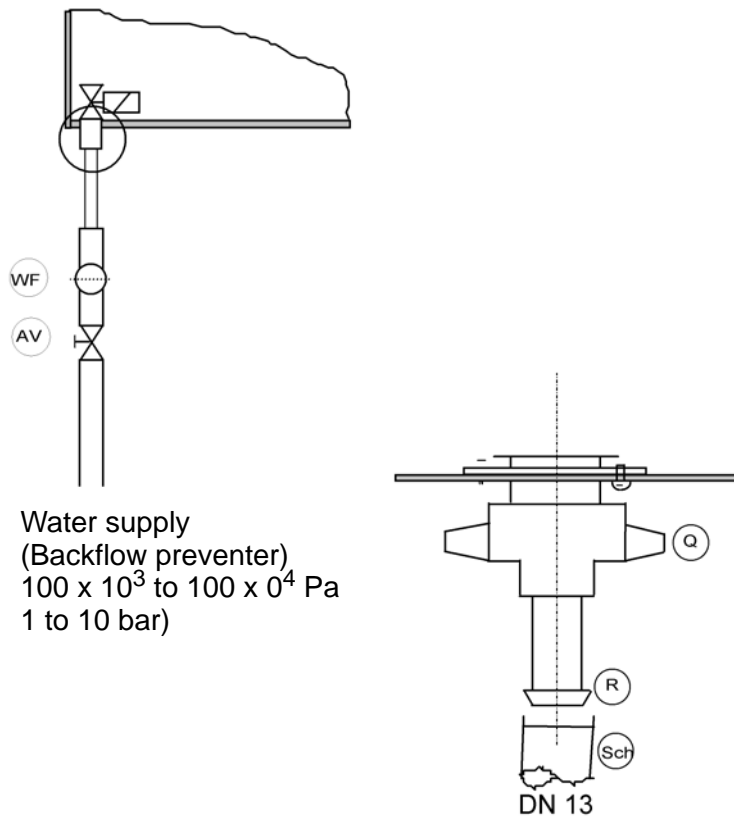
- tap water with a total hardness of max. 18.8 °e
- demineralized water (min. conductivity 3µS/cm)
- fully cleaned condensate (min. conductivity 3µS/cm)
- partially or fully softened water

Boiling normal tap water always produces lime.

Lime deposits on the surface of the heater elements may reduce their lifetime. We recommend to use a water treatment device in order to prevent scaling.

In case of any questions regarding water treatment devices please contact HygroMatik.

6.2 Water Supply (For Operation with Demineralized Water or Purified Condensate)



- » Install a shut-off valve (AV) in the supply hose.
- » Install a water filter (WF) if required by water quality.
- » Make sure that a backflow preventer is installed in the water supply line.

Please note Shut-off valve (AV), water filter (WF) and backflow preventer are not provided by HygroMatik.

Install as follows:

- » Check whether the valve strainer has been inserted in the solenoid valve.
- » Screw cap nut (Q) onto the supply connection. Tighten by hand.

The supply connection protrudes from the intermediate tray.

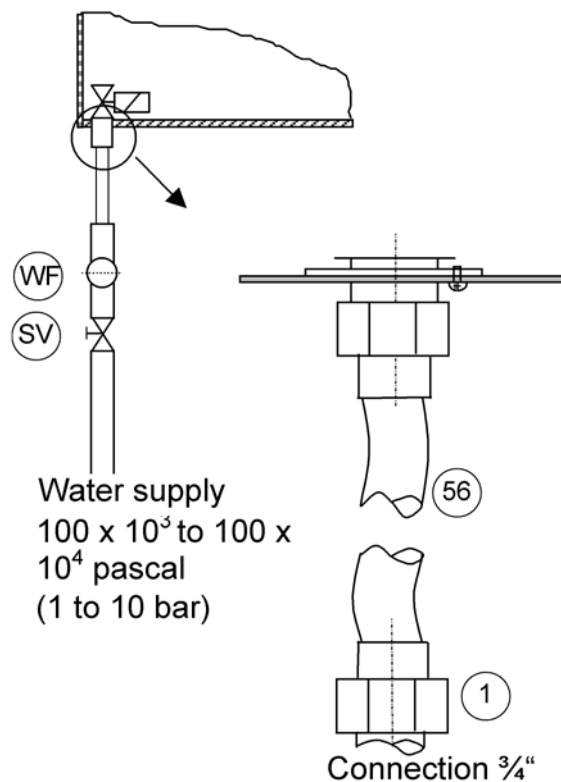
Please note Excessive tightening will damage the threads.

- » Slide 13mm inner diameter hose (SCH) over the pressure clip (R) and secure with a hose clamp.

6.3 Water Supply (For Operation with Tap Water or Partially/Fully Softened Water)

- » Install a shut-off valve (SV) in the supply line.
- » Install a water filter (WF) if required by water quality.
- » Make sure that a backflow preventer is installed in the water supply line.

Please note Shut-off valve (SV) and water filter (WF) are not supplied with the unit.



HygroMatik provides a water hose (56) with a cap nut at both ends which can be used for water installation.

Install as follows:

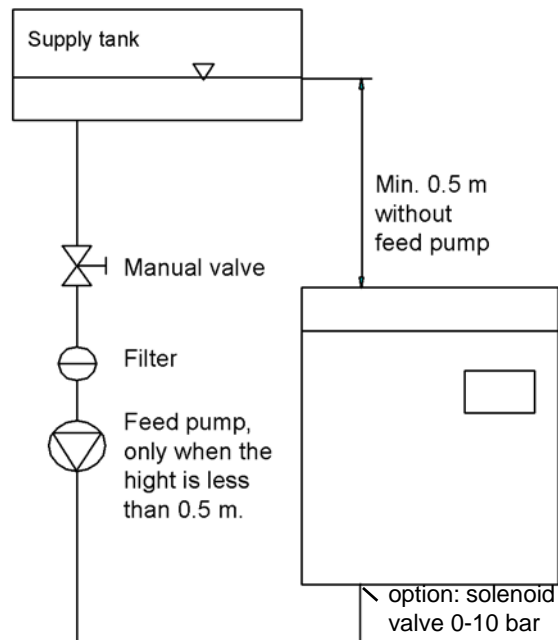
Screw and tighten the cap nut with its inner seal ring around the water supply screw connection that protrudes from the base.

Please note Excessive tightening will destroy the fitting. The valve strainer (29) must be placed inside the solenoid valve.

Use the cap nut (internal thread 3/4") with inner seal for connection to the customer-provided water system.

6.4 Feed from Holding Tank

If a holding tank will be used to supply water, the „option solenoid valve 0-10bar” must be ordered. Make sure that the feed height is at least 0.5 meter. If the height is less than 0.5 m, insert a feed pump or install the humidifier lower if possible.



6.5 Water Treatment

For water treatment system specifications, use the following table.

The figures below assume that the humidifier runs for 24 hours at 100% output.

HeaterLine	Max. Water Consumption in over24 h [l]
6	166
9	248
12	331
18	497
24	662
27	754
30	828
36	994
45	1242

6.6 Water Discharge

⚠ WARNING

Risk of scalding!

Wastewater must drain freely and pressureless!

During blow down up to 0.3 l/s are being drained with a temperature of about 95 °C.

Avoid contact in order not to burn skin.

For water discharge, we recommend installation of a flexible water drain hose. Humidifier and waste water discharge must be on the same pressure level. In case of a drain connection on positive pressure, pls. consult your expert dealer.

Please note:

- Do not bend the drain hose, respect length specification
- For the discharge line and drain pipe, select materials temperature-resistant up to 95 °C or use the „HyCool“ option

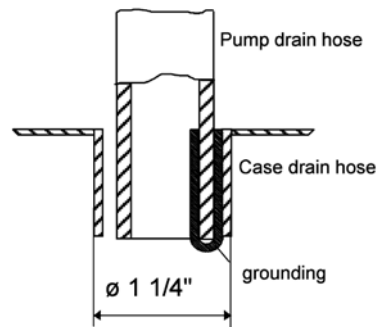
Install the water drain system as follows:

- » Install a drain hose 1 1/4 ", 250 - 1000 mm long, into a pressureless outlet according to DIN EN 1717. Locate the outlet sideways of the humidifier so that ascending vapor does not condensate on the humidifier`s housing

Model	
HL 6-45	1 x 1 1/4"

- » Slide the drain hose over the pump discharge hose and secure to the cabinet drain connection

A grounding clip is fixed on the inner surface of the cabinet drain connection. Slide the end of the pump drain hose onto this clip. There is a 3 mm-wide gap between the pump drain hose jacket and the inner surface of the cabinet drain connection. If water collects on the base plate, it will flow through this gap into the drainage system.



6.7 Water Connection Installation Checklist

Verify correct system installation using the checklist below:

- Can flushed-out water drain freely?
- Have all screws and clamps been properly tightened?
- Is the water supply line properly flushed out?
- Has the water installation been performed correctly?
- Is the drainage system (including pump drain hose) correctly installed?
- Are the water supply and drain lines free of leaks?

NOTICE

Foreign material in water supply pipe may cause premature damage to the solenoid valve!

Flush the water supply pipe before making connection to the solenoid valve. This is of particular importance in case of a newly installed pipe.

7. Electrical Installation

▲ WARNING

Risk of electrical shock

Hazardous electrical high voltage!

All work related to electrical installation to be performed by authorized personnel only (electricians or professionals with equivalent training).

Do not connect the steam humidifier to the live power supply before all installation work has been completed.

Please note The customer is responsible for checking qualifications.

General installation rules

- Install electrical connections as specified in the wiring diagrams
- For units with power ratings over 33 kW, only a permanent connection to a permanent installation is permitted (observe European Directives shown in chapter „EC Declaration of Conformity“)
- Ensure that all terminals have been tightened

NOTICE

Take care of ESD protection!

The electronic components of the humidifier control are very sensitive to electrostatic discharge. In order to protect these components during any type of installation, steps must be taken to guard against damage from electrostatic discharge.

7.1 Electrical Installation

- » Breakers must have a contact gap of at least 3 mm per pole.
- » Each steam cylinder requires a separate main power supply including main fuses, main breaker, etc.
- » Connect potential equalization inside the unit to the external ground bolt (located on the underside of the cabinet beside the cable connections).
- » Install main power supply as follows:

Type	Main Power Supply
HL6-45	400V/3Phases/N

We recommend using a main fuse with medium blow rating (applies only to the mains voltages above.) See table below indicating maximum power consumption corresponding to each type of circuit protection:

Type	Power Consumption	Fuses
HL6	11.3 A	3x16 A
HL9	16.9 A	3x20 A
HL12	19.5 A	3x25 A
HL18	29.3 A	3x35 A
HL24	39.0 A	3x40 A
HL27	29.3 A	3x35 A
HL30	39.0 A	3x40 A
HL36	58.5 A	3x63 A
HL45	58.5 A	3x63 A
HL60	2 x 39.0 A	2 x (3x40) A
HL70	2 x 58.5 A	2 x (3x63) A
HL80	2 x 58.5 A	2 x (3x63) A
HL90	2 x 58.5 A	2 x (3x63) A

The steam generator should be operated with a residual current circuit breaker (RCCB).

7.2 Cable Connections

The table below shows the cable connections provided in HeaterLine steam humidifiers:

Unit	Connection M16	Connection M25	Connection M32
HL6 - 45	4	2	1

Characteristics of metric cable connections:

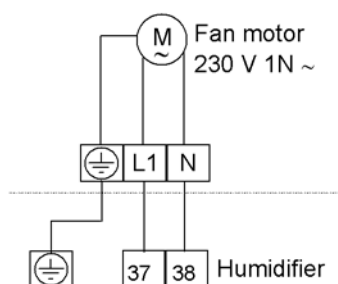
Thread	across-flats dimensions [mm]	for cable diameter [mm]
M16x1.5	19	4.5 - 10
M25x1.5	30	9 - 17
M32x1.5	36	11 - 21

7.3 Control Connection

Please note Set the control to prevent overly frequent activation and deactivation of the steam humidifier. Main contactors are wearing parts and are guaranteed by the manufacturer for 150,000 cycles. Operation which minimizes activation cycles will extend the life of the main contactors.

7.4 Fan Unit

- » Connect fan unit as specified in the wiring diagram.



The fan unit is activated/deactivated in parallel with humidification.

Please note Terminals 37 und 38 only exist in the unit only when the fan unit and the humidifier are purchased in one order. In other cases (i.e. retrofitting), the fan unit motor phase may be connected to Terminal 2 via the auxiliary contact of the main contactor.

Only wires with identical cross section dimensions are allowed to be connected to one common clamp.

7.5 Safety Interlock

Between terminal 1 and 2 of the humidifier the so called safety interlock is located. If the safety interlock is not closed the humidifier is not allowed to work. Any additional safety devices (see below) have to be installed between those terminals. The safety interlock is also used for an On/Off control mode. There is no jumper between terminal 1 and 2 ex works. Install contact interlocks, i.e. max. hygrostat, vane relay, pressure controller, air interlock etc. in series between Terminals 1 and 2.

Please note It is standard practice for air-conditioning to install a max. hygrostat in the safety interlock (not valid for steam bath applications). The max. hygrostat acts as a safety device in the event of a humidity sensor malfunction and protects against overhumidification.

Please note Contacts laid between Terminals 1 and 2 must be potential free and rated for 230V switches.

⚠ WARNING

Risk of electrical shock!

Hazardous electrical high voltage.

When power is switched on, terminal 1 shows 230 VAC.

7.6 Wiring Diagram

Please refer to the wiring diagram in the technical manual supplied with the control used with your humidifier. Every steam humidifier comes with a unit-specific technical manual and a manual for the control. In addition, you will find downloadable wiring diagrams and technical manuals at www.hygromatik.de.

7.7 Electrical Installation Checklist

Perform electrical installation checks in compliance with customer site requirements and public power utility regulations:

- Does the mains voltage match the voltage on the name plate?
- Have all electrical connections been made according to the terminal diagram?
- Have all electrical cable and plug connections been properly tightened?
- Are all electrical plug connections secure?
- Is the unit grounded?

After this check the unit may be switched on.

⚠ WARNING

Risk of electrical shock

Hazardous electrical high voltage.

The unit must be closed and locked. Only an engaged lock will guarantee that the cover is grounded for personal protection.

Please note

For initial operation, control, service, malfunctions, and circuit diagrams, consult the operation instructions for the HygroMatik-controls or at www.hygromatik.de.

8. Commissioning

▲ WARNING

Risk of operating error!

Start-up of the unit is restricted to expert staff only (electricians or expert personnel with equivalent training).

Switching off steam humidifier

Please note

Before starting up the unit, make sure you know how to switch it off.

- » Switch off unit by setting control switch to “0”Close water supply stopcock valve.

Check of electrical wire connections

- » Check that all electrical wire connections, including heater element wire connections, are tight and secure.
- » Check cylinder seating, and if necessary steam and condensate hose clamps

Switching on Steam Humidifier

- » Switch on main breaker
- » Open water supply stopcock valve. Operating pressure 100×10^3 to 100×10^4 Pa (1 to 10 bar overpressure).
- » Switch on unit by setting control switch to “1”.
- » Set control for initial operation check to humidity demand for initial operation check.

The following operational steps are executed:

- The unit performs a self-test. If the control includes a display, the message “self-test“ is displayed.
- If the safety interlock (see also chapter „Safety interlock“) is closed, the water inlet solenoid valve opens and feeds water into the steam cylinder.

If there is a demand for humidity, the main contactor is switched and a few minutes later steam production starts. Initiation of steam production can take up to 20 minutes.

Further checks:

- Let all electrically-driven operations run to completion.

As soon as the solenoid valve begins replenishing the water periodically, the steam humidifier operates at steady nominal output and the cold start sequence is complete.

- » Monitor the unit and let it operate for 15 to 30 minutes.
- » If leaks appear, switch off the unit.
- » Repair leaks, obeying the following security instruction:

⚠ WARNING

Risk of electrical shock!

Hazardous electrical high voltage!

Follow safety instructions for work on live components.

9. Maintenance

The HygroMatik steam humidifier is easy to maintain. Nevertheless, inadequate or improper maintenance can lead to operational malfunctions. Perform regular maintenance to give your unit a long life span.

⚠ WARNING

The unit is only to be serviced by qualified personnel!

All safety instructions must be observed.

After maintenance work, have qualified personnel check that the unit is operating safely.

⚠ WARNING

Risk of electrical shock!

Hazardous electrical high voltage.

Switch off the unit before maintenance and protect against restart.

NOTICE

Take care of ESD protection!

The electronic components of the humidifier control are very sensitive to electrostatic discharges. In order to protect these components during maintenance, steps must be taken to guard against damage from electrostatic discharge.

Since steam and condensate hoses are also subject to wear they have to be checked regularly. Seals are wearing parts and must therefore be examined in the periodic maintenance and replaced if required.

For maintenance the screw terminals must be checked and retightened if necessary.

The steam humidifier's performance and maintenance intervals depend primarily on the existing water quality and the quantity of steam generated. Variable water quality can lengthen or shorten the maintenance interval. Ongoing maintenance intervals can be estimated based on the amount and type of residue found in the steam cylinder. Immediate cylinder maintenance is indicated by:

- a **green, blinking LED** on the display and operating panel.
- the display reads **Service** (only with controls of Type Comfort and Comfort Plus).

9.1 Maintenance for Operation with Demineralized Water / Condensate

Instructions for maintenance and cleaning intervals are based exclusively on typical, empirically determined values.

Cycle	Maintenance Task
4 Weeks after Initial Operation	<p>Visual check of electrical and mechanical connections.</p> <p>Visual check of water level control.</p> <p>Visual check of steam cylinder interior.</p>
Annually	<p>Visual check of electrical and mechanical connections.</p> <p>Visual check of water level control.</p> <p>Visual check of heater elements / thermo sensor.; if needed, changing sealings</p> <p>Visual inspection of interior of steam cylinder.</p> <p>If needed, cleaning of steam cylinder, heater elements, thermo sensor and changing sealings.</p>

9.2 Maintenance for Operation with Tap Water or Partially Softened Water

No precise maintenance intervals can be specified because these always depend on water quality and quantity of steam generated. It is advisable to adjust the frequency of maintenance to the specific operational application.

HYGROMATIK recommends to open and check the steam cylinder two weeks after commissioning. Ongoing maintenance intervals can be estimated based on the amount and type of residue found in the steam cylinder.

Blow-Down Cycles

The vaporization process causes mineral (calcium) deposits of different compositions to settle in the steam cylinder. Part of this solid build-up is removed through periodic blow-downs and fresh tap water refills with the aid of the HygroMatik SUPER FLUSH flushing system.

The SUPER-FLUSH system generates a whirlpool effect in the strainer basket, intensifying removal of calcium particles during blow-down.

Water quality

When using tap water, note that cleaning intervals shorten as the carbonate hardness level in the water increases. As a general rule, it is preferable to operate the unit with fully demineralized water. Operation will not be affected by mineral deposits and flushing losses will be minimized.

Please note

If desired, maintenance intervals can be lengthened by moderately increasing blow-down rates. Please consult HygroMatik.

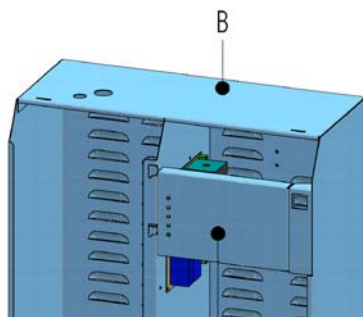
9.3 Access to Control Unit

⚠ WARNING

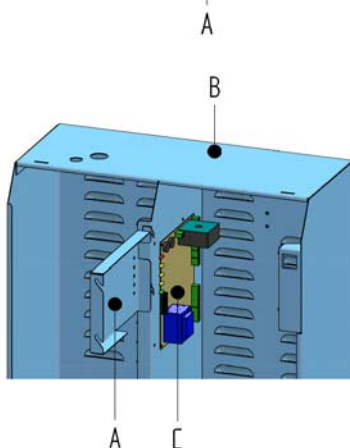
Risk of electrical shock

Hazardous electrical high voltage!

Make sure the unit is switched off before installing or removing the display panel



- » Remove cover (or electric compartment cover) and lift display panel (A) off guiding.
- » Turn display panel by 90 degrees (see fig. on the left) and attach display panel to the humidifier cabinet by placing the two guide pins in the corresponding slots.
- » The PCB (C) is now accessible.



9.4 Cleaning the Cylinder Base and the Coarse Strainer

Removal

- » Shut off water supply.
- » Drain steam cylinder by setting main switch to Pos II.
- » Disconnect power supply and secure against restart (set main switch to Pos 0, switch, remove main fuse and control fuse F1). Verify the absence of electric current.
- » Remove connector plug for steam cylinder lead.
- » Twist and remove star screw on the steam hose adapter.
- » Remove clip on the steam hose adapter (2).
- » Push the steam hose adapter up out of the cabinet and secure with the clip.
- » Undo clamping belt.

⚠ WARNING

Risk of skin burning!

During operation and for some time afterwards the cylinder is hot. Check temperature before touching.

- » Lift steam cylinder (9) out of the base (11).

NOTICE**Risk of material damage!**

When lifting the cylinder out of the housing or reassembling be aware not to damage the heating element cable.

- » Remove cylinder base o-ring (13).
- » Lift strainer insert (12) out of the base using the two access holes on the side.
- » Remove all deposits from the coarse strainer. Keep coarse strainer clean with mechanical utilities.
- » Check base for deposits and remove if necessary. Especially the passes of the hose connections should be checked.
- » Insert coarse strainer and position correctly by clicking the cut-out into place in the clip.

Assembly

- » Thoroughly clean o-ring seating in cylinder base. No calcium residue must remain on the seating.
- » Moisten new cylinder base o-ring and insert in base.
- » Remove o-ring (4) from the steam hose adapter (2).
- » Moisten o-ring fluid and place on the upper part of the cylinder collar on the cylinder cover (5).
- » If necessary, replace o-ring seal between cylinder (9) and cylinder cover.
- » Loosen clamping belt and lift off cover.
- » Remove o-ring (15).
- » Insert new o-ring, replace cover. Close clamping ring.

▲ WARNING**Risk of pinching fingers!**

To avoid harming fingers during closing of the clamping ring, make sure that your fingers are not in the closing range.

- » Push steam cylinder back into base with a gentle twisting motion.

Please note

The "Hot surface" sticker must point to the front side of the unit.

- » With a gentle turning motion, put adapter (2) over the o-ring on the steam outlet and fix it with the star screws.
- » Slide clip between adapter and cabinet.
- » Close clamping belt.
- » Attach steam cylinder connector plug. Switch breaker back on.
- » Open water supply.
- » Switch on unit and check for leaks after 15-30 minutes of operation. If leakage occurs, switch off power supply and repair the leaks, following safety instructions for work on live components!

9.5 Cleaning Steam Cylinder and Heater Elements

Removal

- » Close off water supply.
- » Drain steam cylinder (9) by setting main switch to Pos II.
- » Disconnect power supply and secure against restart (switch off control switch, remove main fuse and control fuse F1).
- » Verify absence of electric current.
- » Remove steam cylinder as described in section “Cleaning Coarse Strainer in Cylinder Base.”
- » Open cylinder clamping ring (7) and lift off cover (5) with heater elements (8).

Cleaning

Please note

When using mineral deposit removers or cleaners to clean the cylinder and heater elements, make sure you thoroughly rinse the unit before returning reassembling it. Use mineral deposit removers **only** for cylinder and heater elements.

NOTICE**Risk of material damage!**

Excessive mechanical cleaning may damage the cylinder and/or the heater elements.

-
- » Check cylinder inner surface and heater elements. Remove all deposits. However, small amounts of scale deposits on the heater elements (8) are harmless.

Assembly

- » Install cylinder (9) as described above in section “Cleaning Cylinder Base and Coarse Strainer.”

9.6 Cleaning Connection Hoses, Cylinder Base Connections, Steam Hose Adapter Nozzle

Within the regular maintenance frame, all connection hoses should be checked for freedom of deposits and good overall condition. Also, all of the cylinder base (11) connections should be checked for free passage and cleaned, if necessary.

When operating with partially softened water or tap water, scale may be discharged with the steam flow and may settle in the nozzle (3) positioned in steam hose adapter. Therefore, this nozzle should be inspected regularly as part of the general maintenance review and cleaned if necessary.

9.7 Replacing Heater Elements

Removal

- » Close off water supply.
- » Drain steam cylinder (9) by setting main switch to Pos II. Disconnect power supply and secure against restart (switch off control switch, remove main fuse and control fuse F1).
- » Verify absence of electric current.
- » Remove steam cylinder as described above in section “Cleaning Coarse Strainer in Cylinder Base.”
- » Open cylinder clamping ring (7) and lift off cover (5) with heater elements (8).
- » Detach connecting cable for the heater element in question. Mark these two terminals. If necessary, remove the capillary tube from the thermo sensor by detaching the retainer clips.
- » Detach the heater elements from the cover by removing the nut from the pressure plate (16).
- » Clean the sealing surface on the underside of the cover around the area where the new heater element will be installed.

Installation

- » Install new heater element, replacing the parts in the correct sequence according to the diagram, and screw nut with a torque of 5 Nm onto the pressure plate.
- » Insert the heater element's connecting cable into the two marked terminals and tighten. Polarity of (heater element) connecting cable is not important.
- » If necessary: Install capillary tube on the thermo sensor using retainer clips.
- » To proceed further, follow the steps described above in section "Cleaning Coarse Strainer Cylinder Base."

9.8 Replacing Thermo Sensor (for Heater Element)

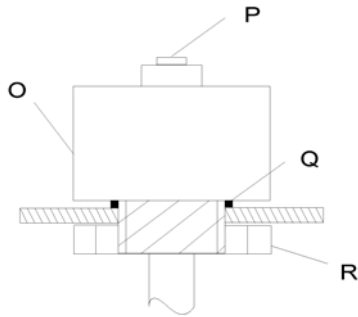
Removal

- » Close off water supply.
- » Drain steam cylinder (9) by setting main switch to Pos II.
- » Disconnect power supply and secure against restart (switch off control switch, remove main fuse and control fuse F1).
- » Verify absence of electric current.
- » Remove steam cylinder connector plug.
- » Remove star screw from the steam hose adapter (2).
- » Remove clip on steam hose adapter.
- » Push the steam hose adapter up out of the cabinet and secure with clip.
- » Loosen clamping belt.
- » Lift steam cylinder out of the base (11).

NOTICE

Risk of material damage!

When lifting the cylinder out of the housing or reassembling be aware not to damage the heating element cable.



- O: Thermo sensor
- P: Thermo sensor release button
- Q: Seal
- R: Lock/Counter nut

- » Loosen thermo sensor screw terminals and detach wires.
- » Loosen clips of capillary tube.
- » Disconnect capillary tube from the heater elements (8).
- » Remove locking nut (R) of thermo sensor (O).
- » Remove thermo sensor.

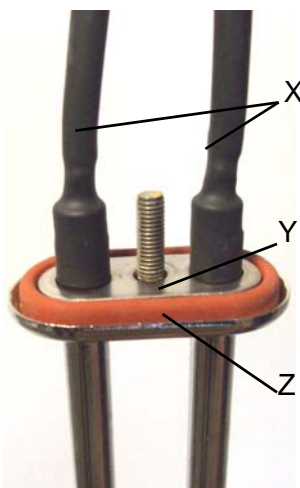
NOTICE

Risk of material damage!
Do not buckle the capillary tube of the thermo sensor.

Installation

- » Install heater element and thermo sensor. Do not screw the nut in too tightly!
- » Neatly connect the capillary tube to the heater element. Having humidifiers with two or more heating elements the capillary tube is connected to two heating elements.
- » To proceed further, follow the steps described above in section "Cleaning Coarse Strainer in Cylinder Base."

9.9 Replacing Sealing for Heater Element



Detail: Electrical connection - heater element

- » Remove heater element as described above in section „Replacing Heater Elements/Removal“.
- » If necessary, slit shrink sleeve (X) and remove it.
- » Lift the retaining plate (Y) and pull it over the connecting cables
- » Pull off old gasket (Z) over the connection cables and install a new gasket
- » Mount retaining (Y) plate.
- » If necessary, pull shrink sleeves (X) over the connecting cables and shrink them by blow drying until trapped.
- » Install heater element as described above in section „Replacing Heater Elements/Installation“.

Please note

Please do not remove the two washers on the mounting bolt. The distance on the holding plate is set and removal of the washers may cause damage.

9.10 Cleaning of the Control Cylinder

The control cylinder (6) monitors the water level. When cleaning the steam cylinder the control cylinder should also be cleaned. Loosen the four top screws that interconnect floating switch and control cylinder housing. Pull out floating switch and clean it carefully. Take off sealing and clean it.

Please note

The rod assembly must not be lubricated.

Clean the sealing surface in the control cylinder housing. For installation mount the a.m. components in reverse order.

9.11 Unlocking of a Released Thermo Sensor (for heater element)

If a thermo sensor (for heater element) has released due to a too high temperature the button (P) is on the same level as the top of its holder. Additionally, the control reports a failure „thermo sensor activated“. After the system has cooled down the release button (P) can be unlocked by pressing it down a few millimetres.

9.12 Unlocking of a Released Thermo Sensor (for Solid State Relay)

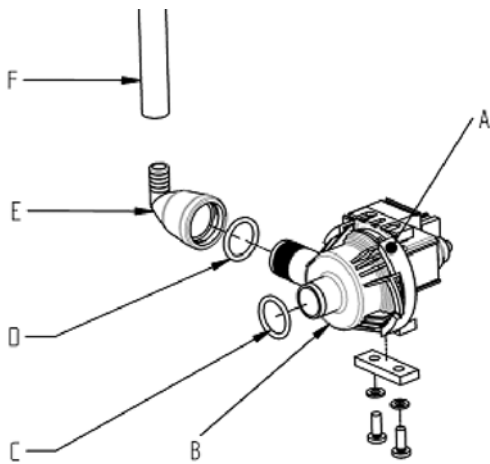
If a thermo sensor (for solid state relay) has released due to a too high temperature ($>100^{\circ}\text{C} \pm 5^{\circ}\text{K}$) the control reports a failure „thermo sensor activated“. After the system has cooled down the release pin (that lays between the both plain connectors) can be released by pressing it carefully down until there is a click sound.

9.13 Unlocking of a Released Thermo Sensor (cylinder cover)

If a thermo sensor (41) has released due to a too high temperature ($>105^{\circ}\text{C} \pm 5^{\circ}\text{K}$) the control reports a failure „thermo sensor activated“. After the system has cooled down the release pin (that lays between the both plain connectors) can be released by pressing it carefully down until there is a click sound. This thermal switch is used for overall control of the heater elements (principle of double check) and triggers only in case of significant overheating.

If this thermal switch has tripped, the heater elements must be replaced.

9.14 Cleaning Blow-Down Pump



- » Close off water supply.
- » Drain steam cylinder by setting the main switch to Pos II
- » Disconnect power supply and secure against restart (switch off control switch, remove main fuse and control fuse F1).
- » Verify absence of electric current. Detach electrical connector from the pump (10).
- » Detach union adapter (E) from the pump.
- » Remove screws (G) and take the pump out of the base (11).
- » Open pump (bayonet lock).
- » Remove all residue from the drain hoses and pump (possibly replace o-ring (A)).
- » Assemble pump.
- » Moisten o-ring (C) and place in the side connection of the base.
- » Push pump into the base and secure tightly with screws (G).
- » Moisten o-ring (D) and place on the side connection of the pump.
- » Slide union adapter (E) over the side connection of the pump.
- » Connect electrical connector to the pump (polarity not specified).
- » Open water supply.

Switch on unit and check for leaks after 15-30 minutes of operation. If leakage occurs, switch off power supply and repair the leaks, following safety instructions for work on live components!

9.15 Removing the Inlet Solenoid Valve and Cleaning the Fine Mesh Filter

Removal

- » Close off water supply.
- » Drain steam cylinder (9) by setting main switch to Pos II.
- » Disconnect power supply and secure against restart (switch off control switch, remove main fuse and control fuse F1).
- » Verify absence of electric current.
- » Remove cylinder (9) as described above in section "Cleaning Steam Cylinder".

(Description for HeaterLine **Standard**)

- » Seal off water supply and remove screw joint from fresh water connection (L).
- » Detach connector hoses (G) from base and mark a position.
- » Remove electrical connectors from double solenoid valve (H) and mark position.
- » Remove solenoid valve mounting screws (I).
- » Take the solenoid valve out of hole.

Cleaning

- » Remove fine mesh filter (K) from the solenoid valve and clean.

Installation

- » Place solenoid valve with seal in the hole in the unit cabinet.
- » Secure solenoid valve tightly with screws (I).
- » Attach fresh water connection (L).
- » Connect electrical cable to the double solenoid valve. Take care to position correctly.
- » Attach connector hose (G) to the base by using clamps (M).
- » (Continue next page).

(Description for HeaterLine **Professional**)

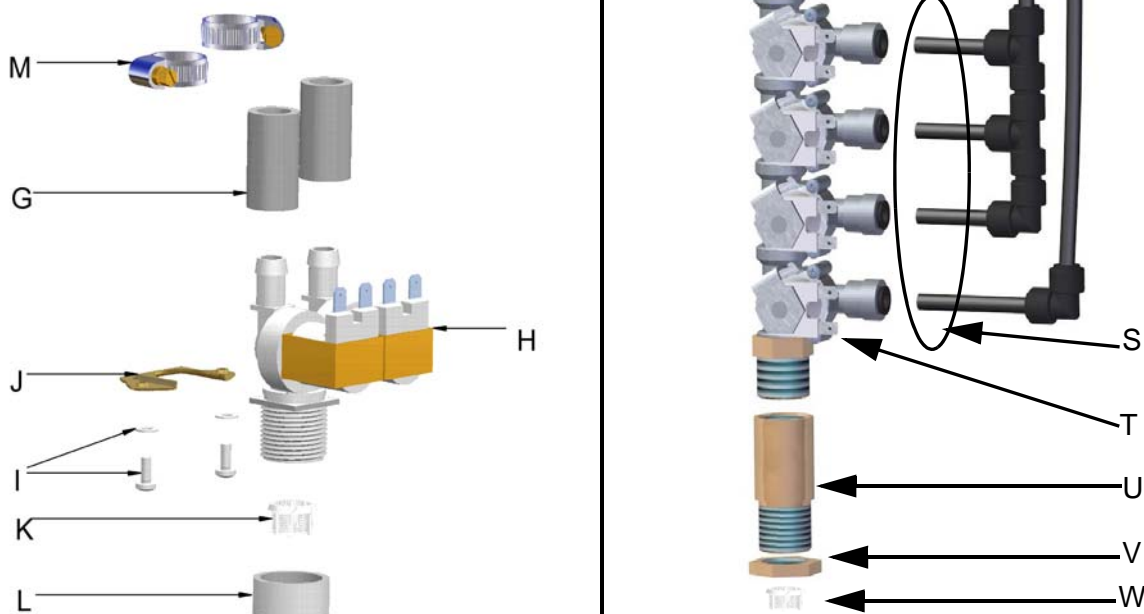
- » Seal off water supply and remove hexagon nut (V).
- » Detach connector hoses (S) and mark positions.
- » Remove electrical connectors from quad solenoid valve (T) and mark positions.
- » Take the quad solenoid valve (T) out of hole.

Cleaning

- » Remove fine mesh filter (W) from the solenoid valve and clean.

Installation

- » Attach connector hoses (S). Take care to position correctly.
- » Attach electrical connectors for quad solenoid valve (T). Take care to position correctly.
- » Place solenoid valve with seal in the hole in the unit cabinet.
- » Fix water inlet fitting (U) by using hexagon nut (V).
- » (Continue next page).



- » Install cylinder as described above in section „Cleaning steam cylinder
- » Open water supply.

Switch on unit and check for leakage after 15-30 minutes of operation. If leakage occurs, switch off power supply and repair the leaks, following safety instructions for work on live components!

9.16 Checking Cable Screw Connections, Heater Elements and Wires

NOTICE

Risk of material damage!

Loose cable connections may cause excessive contact resistance and overheating of contact surfaces.

- » Check that all cable screw connections are securely tightened.
- » Ensure that heating element cable is not damaged.

9.17 Operational Check

- » Start up the unit and operate for a few minutes, ideally at maximum output.
- » Check safety devices.
- » Check hose connections for possible leaks.

9.18 Dismantling

Once the steam humidifier will no longer be used, dismantle (demolish or scrap) it by following the installation procedures in reverse order.

⚠ WARNING

Risk of electrical shock!

Hazardous electrical high voltage.

Dismantling must only be accomplished by expert staff (electricians or personnel with equivalent training).

All safety guidelines as outlined in the “Safety Instructions” section must be obeyed, especially the guidelines for disposal.

10. EC-Declaration of Conformity



EG-Konformitätserklärung EC Declaration of Conformity

Hersteller / Manufacturer: HygroMatik GmbH

Anschrift / Address: Lise-Meitner-Straße 3, D-24558 Henstedt-Ulzburg, Germany

Produktbezeichnung / Product description:
HeaterLine (HL): HL06, HL09, HL12, HL18, HL24, HL27, HL30, HL36, HL45, HL60, HL70, HL80, HL90

In den Ausführungen / Type: Basic, Comfort, Comfort Plus, Dampfbad / Steam bath (DS), Professional

Die bezeichneten Produkte stimmen in der von uns in Verkehr gebrachten Ausführung mit den Vorschriften folgender Europäischer Richtlinien überein:

The products described above in the form as delivered are in conformity with the provisions of the following European Directives:

- 2004/108/EG** Richtlinie des Rates zur Angleichung der Rechtsvorschriften der Mitgliedstaaten über die elektromagnetische Verträglichkeit.
Council Directive on the approximation of the laws of the Member States relating to electromagnetic compatibility.
- 2006/95/EG** Richtlinie des Rates zur Angleichung der Rechtsvorschriften der Mitgliedstaaten betreffend elektrische Betriebsmittel zur Verwendung innerhalb bestimmter Spannungsgrenzen.
Council Directive on the approximation of the laws of the Member States related to electrical equipment designed for use within certain voltage limits.

Die Konformität mit den Richtlinien wird nachgewiesen durch die Einhaltung folgender Normen:
Conformity to the Directives is assured through the application of the following standards:

Referenznummer:	Ausgabedatum:	Referenznummer:	Ausgabedatum:
<i>Reference Number:</i> DIN EN 61000-6-2	<i>Edition:</i> 2006-03	<i>Reference Number:</i> DIN EN 60335-1	<i>Edition:</i> 2010-11
DIN EN 61000-6-3	2011-09	DIN EN 60335-1/A15	2012-03
		DIN EN 60335-2-98	2009-04
		DIN EN 62233	2008-11
		DIN EN 62233 Ber.1	2009-04

Die Anforderungen des Produktsicherheitsgesetzes ProdSG §3 Abs. 1 bis 2 werden eingehalten. Eine vom Lieferzustand abweichende Veränderung des Gerätes führt zum Verlust der Konformität.
The requirements of the German Product Safety Law (ProdSG) paragraph 3 clause 1 to 2 are met. Product modifications after delivery may result in a loss of conformity.

Henstedt-Ulzburg, den / the 23.04.2014

HygroMatik GmbH

Dirc Menssing
Geschäftsführer / General Manager

Dr. Andreas Bock
Technischer Leiter / Head of Engineering

Diese Erklärung bescheinigt die Übereinstimmung mit den genannten Richtlinien, ist jedoch keine Zusicherung von Eigenschaften. Die Sicherheitshinweise der mitgelieferten Produktdokumentation sind zu beachten.
This declaration certifies the conformity to the specified directives but contains no assurance of properties. The safety documentation accompanying the product shall be considered in detail.

HygroMatik GmbH
Postfach 12 19 · 24549 Henstedt-Ulzburg
Lise-Meitner-Str. 3 · 24558 Henstedt-Ulzburg
Germany

T +49 4193 895 - 0
F +49 4193 895 - 33
hy@hygromatik.de
www.hygromatik.com

Geschäftsführung:
Dirc Menssing
Maike Nielsen
Nicholas J. Anderson

AG Kiel HR B 1282 No
USt-ID-Nr. DE 134846785
Ein Unternehmen der
spira sarco Gruppe

Deutsche Bank
Kto. 6250889 00 · BLZ 200 700 00
IBAN DE12 2007 0000 0625 6699 00
BIC DEUTDE33

11. Spare Parts

*	HL6	HL9	HL12	HL18	HL24	HL27	HL30	HL36	HL45	Article No.	Description
											Cabinet
	1	1	1	1	1	1				B-2129001	Cabinet HL 6-27
							1	1	1	B-2129003	Cabinet HL 30-45
51	1	1	1	1	1	1	1	1	1	E-2502412	control switch, 2 pole basic, middle " 0"
	1	1	1	1	1	1	1	1	1	E-2124008	Key for safety lock
											Steam Generation [B,C and CP; BDS, CDS and CPDS; P controller]
	1									B-2205315	Cylinder compl. incl. 1 heater element 4,5 kW, 1 thermal sensor and terminal
		1								B-2205317	Cylinder compl. incl. 1 heater element 6,75 kW, 1 thermal sensor and terminal
			1							B-2205319	Cylinder compl. incl. 2 heater element 4,5 kW, 1 thermal sensor and terminal
				1						B-2205321	Cylinder compl. incl. 2 heater element 6,75 kW, 1 thermal sensor and terminal
					1					B-2205323	Cylinder compl. incl. 4 heater element 4,5 kW, 1 thermal sensor and terminal
						1				B-2205331	Cylinder compl. with 4 heater elements 6,75kW, 1 thermal sensor and terminal
							1			B-2205325	Cylinder compl. incl. 5 heater element 4,5 kW, 1 thermal sensor and terminal
								1		B-2205327	Cylinder compl. incl. 4 heater element 6,75 kW, 1 thermal sensor and terminal
									1	B-2205329	Cylinder compl. incl. 5 heater element 6,75 kW, 1 thermal sensor and terminal
	1									B-2206341	Steam cylinder top for HL 06 complete
		1								B-2206343	Steam cylinder top for HL 09 complete
			1							B-2206345	Steam cylinder top for HL 12 complete
				1						B-2206347	Steam cylinder top for HL 18 complete
					1					B-2206349	Steam cylinder top for HL 24 complete
						1				B-2206351	Steam cylinder top for HL 27 complete
							1			B-2206353	Steam cylinder top for HL 30 complete
								1		B-2206355	Steam cylinder top for HL 36 complete
									1	B-2206357	Steam cylinder top for HL 45 complete
	1	1	1	1		1				E-2525504	Terminal 6 pole, 16mm ²
					1		1	1	1	E-2525500	Terminal 9 pole, 16mm ²
											Steam Generation [P2 controller]
	1									B-2205315	Cylinder compl. incl. 1 heater element 4,5 kW, 1 thermal sensor and terminal
		1								B-2205317	Cylinder compl. incl. 1 heater element 6,75 kW, 1 thermal sensor and terminal
			1							B-2205319	Cylinder compl. incl. 2 heater element 4,5 kW, 1 thermal sensor and terminal
				1						B-2205351	Cylinder compl. incl. 3 heater element 4,5 kW, 1 thermal sensor and terminal
					1					on request	Cylinder compl. incl. 4 heater element 4,5 kW, 1 thermal sensor and terminal
						1				on request	Cylinder compl. with 4 heater elements 6,75kW, 1 thermal sensor and terminal
							1			on request	Cylinder compl. incl. 5 heater element 4,5 kW, 1 thermal sensor and terminal
								1		on request	Cylinder compl. incl. 4 heater element 6,75 kW, 1 thermal sensor and terminal
	1									B-2206341	Steam cylinder top for HL 06 complete
		1								B-2206343	Steam cylinder top for HL 09 complete
			1							B-2206345	Steam cylinder top for HL 12 complete
				1						on request	Steam cylinder top for HL 18 complete
					1					on request	Steam cylinder top for HL 24 complete
						1				on request	Steam cylinder top for HL 27 complete
							1			on request	Steam cylinder top for HL 30 complete
								1		on request	Steam cylinder top for HL 36 complete
									1	on request	Steam cylinder top for HL 45 complete
	1	1								E-2525504	Terminal 6 pole, 16mm ²
			1	1	2	1	2	2	2	E-2525500	Terminal 9 pole, 16mm ²
											Steam Generation [all control types]
5	1	1								E-2205070	Cover for cylinder, small, for 1 heater element and 1 thermal sensor
5			1	1						E-2205072	Cover for cylinder, small, for 2 heater element and 1 thermal sensor
5						1				E-2205064	Cover for cylinder, small for 3 heater element and 1 thermal sensor
5					1					E-2205074	Cover for cylinder, small, for 4 heater element and 1 thermal sensor
5								1		E-2205066	Cover for cylinder, big, for 4 heater element and 1 thermal sensor
5							1		1	E-2205068	Cover for cylinder, big, for 5 heater element and 1 thermal sensor
9	1	1	1	1	1	1				E-2205078	Cylinder- lower part, small
9							1	1	1	E-2205076	Cylinder- lower part, big
	1	1	1	1	1	1				E-2205104	Belt for HL cylinder fixation, short
							1	1	1	E-2205106	Belt for HL cylinder fixation, long

*	HL6	HL9	HL12	HL18	HL24	HL27	HL30	HL36	HL45	Article No.	Description
15	1	1	1	1	1	1				E-2205086	O-ring, cylinder lower part - cylinder cover, small
15							1	1	1	E-2205084	O-ring, cylinder lower part - cylinder cover, big
8	1		2		4		5			B-2205083	Heater element, 400V/4,5 kW incl. gasket, plates
8		1		2		3		4	5	B-2205085	Heater element, 400V/6,75 kW incl. gasket, plates
16	1	1	2	2	4	3	5	4	5	E-2205062	Pressureplate for heater element attachment
41	1	1	1	1	1	1	1	1	1	E-2205126	Thermal sensor (cylinder cover) 105°C, since 01/2013
29	1	1	1	1	1	1	1	1	1	B-2205033	Thermal sensor (heater element) incl. Sealing, since 01/2013
	15	15	15	15	15	15	15	15	15	E-2205012	Clamp for thermal sensor, since 01/2013
29	1	1	1	1	1	1	1	1	1	B-2205029	Thermal sensor incl. Sealing, until 12/2012
	1	1	1	1	1	1	1	1	1	E-2205029	Protection cap for thermal sensor B-2205029
	10	10	10	10	10	10	10	10	10	E-2205028	Clamp for thermal sensor, until 12/2012
2	1	1	1	1	1	1	1	1	1	B-2205025	Steam hose adapter DN40
3	1	1	1	1	1	1	1	1	1	B-2304109	Nozzle for steam hose adapter
24	1	1	1	1	1	1	1	1	1	E-2209002	Clip for steam hose adapter DN40
4	1	1	1	1	1	1	1	1	1	E-2204022	O-ring for steam hose adapter DN40
1	2	2	2	2	2	2	2	2	2	E-2205088	Star knob screw, fixation steam hose adapter HL
Steam Generation [B,C and CP; BDS, CDS and CPDS; P controller]											
Steam generation with electrical supply 440V											
	1									B-2205407	Cylinder compl. incl. 1 heater element 4,5 kW, 1 thermal sensor and terminal
		1								B-2205409	Cylinder compl. incl. 1 heater element 6,75 kW, 1 thermal sensor and terminal
			1							B-2205411	Cylinder compl. incl. 2 heater element 4,5 kW, 1 thermal sensor and terminal
				1						B-2205413	Cylinder compl. incl. 2 heater element 6,75 kW, 1 thermal sensor and terminal
					1					B-2205415	Cylinder compl. incl. 4 heater element 4,5 kW, 1 thermal sensor and terminal
						1				B-2205423	Cylinder compl. with 3 heater elements 6,75kW, 1 thermal sensor and terminal
							1			B-2205425	Cylinder compl. incl. 5 heater element 4,5 kW, 1 thermal sensor and terminal
								1		B-2205427	Cylinder compl. incl. 4 heater element 6,75 kW, 1 thermal sensor and terminal
									1	B-2205429	Cylinder compl. incl. 5 heater element 6,75 kW, 1 thermal sensor and terminal
Steam generation with electrical supply 480V											
	1									B-2205335	Cylinder compl. incl. 1 heater element 4,5 kW, 1 thermal sensor and terminal
		1								B-2205337	Cylinder compl. incl. 1 heater element 6,75 kW, 1 thermal sensor and terminal
			1							B-2205339	Cylinder compl. incl. 2 heater element 4,5 kW, 1 thermal sensor and terminal
				1						B-2205341	Cylinder compl. incl. 2 heater element 6,75 kW, 1 thermal sensor and terminal
					1					B-2205353	Cylinder compl. incl. 4 heater element 4,5 kW, 1 thermal sensor and terminal
						1				B-2205361	Cylinder compl. with 3 heater elements 6,75kW, 1 thermal sensor and terminal
							1			B-2205355	Cylinder compl. incl. 5 heater element 4,5 kW, 1 thermal sensor and terminal
								1		B-2205357	Cylinder compl. incl. 4 heater element 6,75 kW, 1 thermal sensor and terminal
									1	B-2205359	Cylinder compl. incl. 5 heater element 6,75 kW, 1 thermal sensor and terminal
Steam generation with electrical supply 690V											
	1									B-2205483	Cylinder compl. incl. 1 heater element 4,5 kW, 1 thermal sensor and terminal
		1								B-2205485	Cylinder compl. incl. 1 heater element 6,75 kW, 1 thermal sensor and terminal
			1							B-2205431	Cylinder compl. incl. 2 heater element 4,5 kW, 1 thermal sensor and terminal
				1						B-2205437	Cylinder compl. incl. 2 heater element 6,75 kW, 1 thermal sensor and terminal
					1					B-2205435	Cylinder compl. incl. 4 heater element 4,5 kW, 1 thermal sensor and terminal
						1				B-2205437	Cylinder compl. with 3 heater elements 6,75kW, 1 thermal sensor and terminal
							1			B-2205439	Cylinder compl. incl. 5 heater element 4,5 kW, 1 thermal sensor and terminal
								1		B-2205441	Cylinder compl. incl. 4 heater element 6,75 kW, 1 thermal sensor and terminal
									1	B-2205487	Cylinder compl. incl. 5 heater element 6,75 kW, 1 thermal sensor and terminal
Steam Generation (P2 controller)											
Steam generation with electrical supply 440V											
	1									B-2205407	Cylinder compl. incl. 1 heater element 4,5 kW, 1 thermal sensor and terminal
		1								B-2205409	Cylinder compl. incl. 1 heater element 6,75 kW, 1 thermal sensor and terminal
			1							B-2205411	Cylinder compl. incl. 2 heater element 4,5 kW, 1 thermal sensor and terminal
				1						on request	Cylinder compl. incl. 3 heater element 4,5 kW, 1 thermal sensor and terminal
					1					on request	Cylinder compl. incl. 4 heater element 4,5 kW, 1 thermal sensor and terminal
						1				on request	Cylinder compl. with 3 heater elements 6,75kW, 1 thermal sensor and terminal
							1			on request	Cylinder compl. incl. 5 heater element 4,5 kW, 1 thermal sensor and terminal
								1		on request	Cylinder compl. incl. 4 heater element 6,75 kW, 1 thermal sensor and terminal
									1	on request	Cylinder compl. incl. 5 heater element 6,75 kW, 1 thermal sensor and terminal
Steam generation with electrical supply 480V											
	1									B-2205335	Cylinder compl. incl. 1 heater element 4,5 kW, 1 thermal sensor and terminal
		1								B-2205337	Cylinder compl. incl. 1 heater element 6,75 kW, 1 thermal sensor and terminal
			1							B-2205339	Cylinder compl. incl. 2 heater element 4,5 kW, 1 thermal sensor and terminal
				1						on request	Cylinder compl. incl. 3 heater element 4,5 kW, 1 thermal sensor and terminal
					1					on request	Cylinder compl. incl. 4 heater element 4,5 kW, 1 thermal sensor and terminal
						1				on request	Cylinder compl. with 3 heater elements 6,75kW, 1 thermal sensor and terminal
							1			on request	Cylinder compl. incl. 5 heater element 4,5 kW, 1 thermal sensor and terminal
								1		on request	Cylinder compl. incl. 4 heater element 6,75 kW, 1 thermal sensor and terminal
									1	on request	Cylinder compl. incl. 5 heater element 6,75 kW, 1 thermal sensor and terminal

*	HL6	HL9	HL12	HL18	HL24	HL27	HL30	HL36	HL45	Article No.	Description
Steam generation with electrical supply 690V											
	1									B-2205483	Cylinder compl. incl. 1 heater element 4,5 kW, 1 thermal sensor and terminal
		1								B-2205485	Cylinder compl. incl. 1 heater element 6,75 kW, 1 thermal sensor and terminal
			1							B-2205431	Cylinder compl. incl. 2 heater element 4,5 kW, 1 thermal sensor and terminal
				1						on request	Cylinder compl. incl. 3 heater element 4,5 kW, 1 thermal sensor and terminal
					1					on request	Cylinder compl. incl. 4 heater element 4,5 kW, 1 thermal sensor and terminal
						1				on request	Cylinder compl. with 3 heater elements 6,75kW, 1 thermal sensor and terminal
							1			on request	Cylinder compl. incl. 5 heater element 4,5 kW, 1 thermal sensor and terminal
								1		on request	Cylinder compl. incl. 4 heater element 6,75 kW, 1 thermal sensor and terminal
									1	on request	Cylinder compl. incl. 5 heater element 6,75 kW, 1 thermal sensor and terminal
Water Feed HL - Version Standard and P2 controller											
14	1	1	1	1	1	1				B-2304055	Double solenoid valve, 0.2-10 bar, 200-240VAC, 2.5 l/min
14							1	1	1	B-2304057	Double solenoid valve, 0.2-10 bar, 200-240VAC, 3.5 l/min
	1	1	1	1	1	1	1	1	1	E-2304024	Fine filter in solenoid valve
	1	1	1	1	1	1	1	1	1	E-2304103	Captive coupling ring for solenoid valve 3/4"
32	1	1	1	1	1	1	1	1	1	E-2304107	Gasket for inlet screwed fitting, solenoid
	1	1	1	1	1	1	1	1	1	E-8501034	Hose collar for inlet srewed fitting, 3/4", solenoid
56	1	1	1	1	1	1	1	2	2	B-2304031	Hose for water connection, 3/4" cap nuts on both sides, seal included
	1	1	1	1	1	1	1	1	1	E-2304036	Rubber seal solenoid valve - cabinet
	1	1	1	1	1	1	1	1	1	B-2304040	Mounting set for solenoid valve
31	1,6	1,6	1,6	1,6	1,6	1,6	1,6	1,6	1,6	E-2604002	Hose, solenoid valve - cabinet
33	1,6	1,6	1,6	1,6	1,6	1,6	1,6	1,6	1,6	E-2604002	Hose, solenoid valve - SuperFlush
	1	1	1	1	1	1	1	1	1	E-2604044	Buckling protection for hose, control cylinder -steam hose adapter
6	1	1	1	1	1	1	1	1	1	B-2504129	Control cylinder for water level, compl. with flow switch (for units before April 2007)
6	1	1	1	1	1	1	1	1	1	B-2504139	Control cylinder for water level, compl. with flow switch (for units since April 2007)
6	1	1	1	1	1	1	1	1	1	E-2504174	Control cylinder for water level, without flow switch
27	1	1	1	1	1	1	1	1	1	B-2504145	Flow switch with sealings and screws
28	1	1	1	1	1	1	1	1	1	E-2304058	Rubber seal for water level control
30	0,5	0,5	0,5	0,5	0,5	0,5	0,5	0,5	0,5	E-2604004	Hose, cylinder base - control cylinder
36	0,3	0,3	0,3	0,3	0,3	0,3	0,3	0,3	0,3	E-2604002	Hose, control cylinder - steam hose adapter
38	0,8	0,8	0,8	1	1	1	1	1	1	E-2604002	Hose for manual drain
	1	1	1	1	1	1	1	1	1	E-2604021	T-piece, condensate manifold, type TS12, DN12
20	1	1	1	1	1	1	1	1	1	E-2604064	Handhold stopper for condensate hose
58	2	2	2	2	2	2	2	2	2	E-2604094	Double check valves
34	11	11	11	11	11	11	11	11	11	E-2304015	Hose clamp DN12
39	2	2	2	2	2	2	2	2	2	E-8501064	Hose clamp Dn 14.2
Water Feed HL - Version Professional [P]											
60	1,4	1,4	1,4	1,4	1,4	1,4	1,4	1,4	1,4	E-2604002	Hose DN12
61	1,6	1,6	1,6	1,6	1,6	1,6	1,6	1,6	1,6	E-2604002	Hose DN12
62	2	2	2	2	2	2	2	2	2	E-7600106	Coupling
63	0,3	0,3	0,3	0,3	0,3	0,3	0,3	0,3	0,3	E-7600186	Hose 8x6
64	0,4	0,4	0,4	0,4	0,4	0,4	0,4	0,4	0,4	E-7600186	Hose 8x6
65	2	2	2	2	2	2	2	2	2	E-7600090	Connecting piece, T piece, 8x6
66	0,1	0,1	0,1	0,1	0,1	0,1	0,1	0,1	0,1	E-7600186	Hose 8x6
67	0,033	0,033	0,033	0,033	0,033	0,033	0,033	0,033	0,033	E-7600186	Hose 8x6
68	2	2	2	2	2	2	2	2	2	E-7600092	Connecting piece, 90° piece
69	0,1	0,1	0,1	0,1	0,1	0,1	0,1	0,1	0,1	E-7600186	Hose 8x6
70	2	2	2	2	2	2	2	2	2	E-7600094	Connecting piece, straight
71	1	1	1	1	1	1	1	1	1	B-2304131	Quad solenoid valve
72	1	1	1	1	1	1	1	1	1	B-2304011	Fitting with double check valves
73	1	1	1	1	1	1	1	1	1	E-2204014	Hexagon nut G3/4"
Water Drain HL											
11	1	1	1	1	1	1	1	1	1	E-2205050	Cylinder base
12	1	1	1	1	1	1	1	1	1	E-2205052	Strainer basket
13	1	1	1	1	1	1	1	1	1	E-2205048	O-ring, cylinder base - steam cylinder
10	1	1	1	1	1	1	1	1	1	B-2404027	Drain pump 230V/50-60Hz without mounting set
19	1	1	1	1	1	1	1	1	1	B-2424014	Mounting set for drain pump
	1	1	1	1	1	1	1	1	1	E-2404026	Drain pump housing
18	1	1	1	1	1	1	1	1	1	E-3220005	O-ring, cylinder base - drain pump
21	1	1	1	1	1	1	1	1	1	E-2425002	Adapter, pump - drain hose, straight model, connections DN25/13
	1	1	1	1	1	1	1	1	1	E-2404024	O-ring for drain pump
35	1	1	1	1	1	1	1	1	1	E-2425004	Elbow with vent pipe
	1	1	1	1	1					B-3401031	Drain hose system for HL06-24
						1	1	1	1	B-3401029	Drain hose system for HL27-45
22	0,8	0,8	0,8	0,8	0,8	0,8	0,9	0,9	0,9	E-2604002	Hose, drain pump - elbow
23	0,8	0,8	0,8	0,8	0,8	0,8	0,9	0,9	0,9	E-2604004	Drain hose, elbow - outlet

*	HL6	HL9	HL12	HL18	HL24	HL27	HL30	HL36	HL45	Article No.	Description
											Control
											Steam Generation [P2 controller]
	1	1	2	3	4	3	5	4	5	B-2507041	Main contactor 20A, DILM7, Coil voltage .230VAC
	1	1	1	1	1	1	1	1	1	B-2602107	Solid state relay 25 A, 1ph.
											Steam Generation [B,C and CP; BDS, CDS and CPDS; P controller]
	1	1	1			1				B-2507041	Main contactor 20A, DILM7, Coil voltage .230VAC
				1		1				B-2507061	Main contactor 35A, DILM17, Coil voltage 230VAC
					1		1			B-2507071	Main contactor 50A, DILM40, Coil voltage 230VAC
								1	1	B-2507081	Main contactor 65A, DILM50, Coil voltage. 230VAC
	1	1								B-2602001	Solid state relay 25 A, 1ph., heat sink (150 x 50) mm,
			1	1						B-2602103	Solid state relay 50 A, 2ph., heat sink (150 x 50) mm (not used for slave devices)
					1					B-2602105	Solid state relay 50 A, 2ph., heat sink (150 x 80) mm (not used for slave devices)
						2	2	2	2	B-2602009	Solid state relay 75 A, 1ph., heat sink (150 x 80) mm (not used for slave devices)
	1	1								B-2602107	Solid state relay 25 A, 1ph.
			1	1	1					B-2602109	Solid state relay 50 A, 2ph.
						2	2	2	2	B-2602111	Solid state relay 75 A, 1ph.
											Steam generation with electrical supply 380-480V
											Steam Generation [P2 controller]
	1	1	2	3	4	3	5	4	5	B-2507041	Main contactor 20A, DILM7, Coil voltage .230VAC
	1	1	1	1	1	1	1	1	1	B-2602107	Solid state relay 25 A, 1ph.
											Steam Generation [B,C and CP; BDS, CDS and CPDS; P controller]
	1	1	1	1						B-2507041	Main contactor 20A, DILM17, Coil voltage 230VAC
						1				B-2507061	Main contactor 35A, DILM17, Coil voltage 230VAC
					1		1			B-2507071	Main contactor 50A, DILM40, Coil voltage. 230VAC
								1	1	B-2507081	Main contactor 65A, DILM50, Coil voltage. 230VAC
	1	1								B-2602001	Solid state relay 25 A, 1ph., heat sink (150 x 50) mm,
			1	1						B-2602003	Solid state relay 50 A, 2ph., heat sink (150 x 50) mm (not used for slave devices)
					1					B-2602105	Solid state relay 50 A, 2ph., heat sink (150 x 80) mm (not used for slave devices)
						2	2	2	2	B-2602009	Solid state relay 75 A, 1ph., heat sink (150 x 80) mm (not used for slave devices)
											Steam generation with electrical supply 600-690V
											Steam Generation [P2 controller]
	1	1	2	3	4	3	5	4	5	B-2507041	Main contactor 20A, DILM7, Coil voltage .230VAC
	1	1	1	1	1	1	1	1	1	B-2602107	Solid state relay 25 A, 1ph.
											Steam Generation [B,C and CP; BDS, CDS and CPDS; P controller]
	1	1	1	1	1					B-2507041	Main contactor 20A, DILM17, Coil voltage 230VAC
						1	1	1	1	B-2507061	Main contactor 35A, DILM17, Coil voltage 230VAC
	1	1	1	1	1	1	1	1	1	E-2205130	Solid state relay 75A/690V, without heat sink, single phase
	1	1	1	1		2	2	2		E-2205116	heat sink (150 x 50) mm
					1					E-2205118	heat sink (150 x 80) mm
	1	1	1	1	1	2	2	2	2	E-2205108	Thermal circuit breaker with manual reset, 100°C ± 5K (not used for slave devices)
	1	1	1	1		1				E-2525506	Terminal 6 pole, 6mm ² (mounted)
					1		1	1	1	E-2525502	Terminal 9pole, 6mm ² (mounted)
											Basic
	1	1	1	1	1	1	1	1	1	B-2526203	Electronic pcb Basis for HL
							1	1	1	B-2526203	Elektronik pcb Basis for slave units
	(1)	(1)	(1)	(1)	(1)	(1)	(1)	(1)	(1)	B-2526213	Electronic pcb Basis for HL steambath
	1	1	1	1	1	1	1	1	1	B-2120901	Mounting plate with foil for Basic (without display)
	1	1	1	1	1	1	1	1	1	B-2120909	Mounting plate with foil for Basic (without display)
	1	1	1	1	1	1	1	1	1	E-2525410	Foil for mounting plate, type Basic
	(1)	(1)	(1)	(1)	(1)	(1)	(1)	(1)	(1)	E-2525418	Foil for mounting plate, type Basic DS
	(1)	(1)	(1)	(1)	(1)	(1)	(1)	(1)	(1)	B-2526303	Relais pcb for Basis pcb

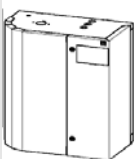
*	HL6	HL9	HL12	HL18	HL24	HL27	HL30	HL36	HL45	Article No.	Description
											Comfort
	1	1	1	1	1	1	1	1	1	B-2526203	Electronic pcb Basis for HL
							1	1	1	B-2526203	Elektronik pcb Basis for slave units
	(1)	(1)	(1)	(1)	(1)	(1)	(1)	(1)	(1)	B-2526213	Electronic pcb Basis for HL steambath
	(1)	(1)	(1)	(1)	(1)	(1)	(1)	(1)	(1)	B-2526401	Comfort display incl. mounting plate with foil
	(1)	(1)	(1)	(1)	(1)	(1)	(1)	(1)	(1)	B-2526445	Comfort display incl. mounting plate with foil DS
	(1)	(1)	(1)	(1)	(1)	(1)	(1)	(1)	(1)	B-2120903	mounting plate with foil for Comfort unit
	(1)	(1)	(1)	(1)	(1)	(1)	(1)	(1)	(1)	B-2120911	mounting plate with foil for Comfort unit DS
	(1)	(1)	(1)	(1)	(1)	(1)	(1)	(1)	(1)	E-2525412	Foil for mounting plate type Comfort
	(1)	(1)	(1)	(1)	(1)	(1)	(1)	(1)	(1)	E-2525420	Foil for mounting plate type Comfort DS
											Comfort Plus
	1	1	1	1	1	1	1	1	1	B-2526203	Electronic pcb Basis for HL
							1	1	1	B-2526203	Elektronik pcb Basis for slave units
	(1)	(1)	(1)	(1)	(1)	(1)	(1)	(1)	(1)	B-2526213	Electronic pcb Basis for HL steambath
	(1)	(1)	(1)	(1)	(1)	(1)	(1)	(1)	(1)	B-2526403	Comfort Plus display incl. mounting plate with foil
	(1)	(1)	(1)	(1)	(1)	(1)	(1)	(1)	(1)	B-2526447	Comfort Plus display incl. mounting plate with foil DS
	(1)	(1)	(1)	(1)	(1)	(1)	(1)	(1)	(1)	B-2120905	Mounting plate with foil for Comfort Plus
	(1)	(1)	(1)	(1)	(1)	(1)	(1)	(1)	(1)	E-2525414	Foil for mounting plate Comfort Plus
	(1)	(1)	(1)	(1)	(1)	(1)	(1)	(1)	(1)	E-2525422	Foil for mounting plate Comfort Plus DS
											Professional [P, P2]
	(1)	(1)	(1)	(1)	(1)	(1)	(1)	(1)	(1)	B-2526603	Control Professional
	(1)	(1)	(1)	(1)	(1)	(1)	(1)	(1)	(1)	B-2526605	Extension Modul
	(1)	(1)	(1)	(1)	(1)	(1)	(1)	(1)	(1)	E-2504204	Transformer
											Accessories
56										B-2304031	Hose for water supply 3/4"
57										E-2420423	Drain hose 1 1/4"
										B-3216091	O-ringset for HL 6 - 27
										B-3216093	O-ringset for HL 30 - 45
										B-3216085	Heater maintenance set (incl. sealing, pressureplate, nut, washers)
										E-2604034	Reducing piece DN 40/DN 25 for steam hose
										E-2604012	Steam hose DN 25, per m
										E-2604013	Steam hose DN 40, per m
										E-2604002	Condensate hose DN 12, per m
										E-2604004	hose, vent - outlet (14,2 x 3 mm)
										E-2404004	Steam hose clamp DN 25
										E-2604016	Steam hose clamp DN 40
										E-2304015	Condensate hose clamp DN 12
										E-2604042	Steam manifold T-piece DN 25, stainless steel
										E-2604023	Steam manifold T-piece DN 40, stainless steel
										E-2604000	Steam manifold Y-piece DN 40, stainless steel
										E-2604021	Condensate connector T-piece DN 12
										B-2604025	Steam solenoid valve 0-0,4 bar, compl. for steam hose DN 25
										B-2604040	Steam solenoid valve 0-0,4 bar, compl. for steam hose DN 40
										E-2604029	Hose nozzle DN 25 - R 3/4"
										E-2504031	Driller (17-21mm)

If you order any spare parts, specify type and serial
 * see exploded view

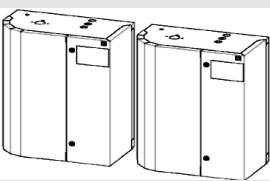
For ordering spare parts, a template can be found on the www.hygromatik.com website under the „Contact“ tab. Your spare parts order may as well be directed per e-mail to the HygroMatik main office using the address hy@hygromatik.de.

Please make sure to specify your unit model and serial number.

12. Technical Specifications

 HeaterLine HL										
Type	HL6	HL9	HL12	HL18	HL24	HL27	HL30	HL36	HL45	
Steam Output [kg/h]	6	9	12	18	24	27	30	36	45	
Electrical Supply*	400V/3/N 50-60Hz									
Power Rating [kW]	4,5	6,8	9,0	13,5	18,0	20,3	22,5	27,0	33,8	
Power Consumption [A]**	11,3	16,9	19,5	29,3	39,0	29,3	39,0	58,5	58,5	
Circuit Protection [A]	3x16	3x20	3x25	3x35	3x40	3x35	3x40	3x63	3x63	
Control Type	Basic, Comfort, Comfort Plus, Professional [P] and Professional [P2] und Professional [P2]									
Number of Steam Cylinder	1									
Number of Heater Elements	1	1	2	2	4	3	5	4	5	
Steam Hose Connection	1x25mm**			1x40mm				2x40mm*****		
Condensate Hose Connection	1x12mm							2x12mm*****		
Net Weight [kg]	36	36	37	38	40	40	48	48	49	
Operating Weight [kg]	51	51	52	53	55	55	78	78	79	
Height [mm]****	830						855			
Width [mm]****	645						688			
Depth [mm]****	325						395			
Water Supply HeaterLine	Fully Demineralized Water / Cleaned Condensate / Partially Softened Water / Tap Water (different qualities) 1 to 10 bar (100 x 10 ³ to 100 x 10 ⁴ Pa), 13mm Hose									
Fan Unit, Wall-Mounted	VG08	VG17	VG17	VG30	VG30	VG30	VG30	2x VG30	2x VG30	
Airflow Capacity of Fan Unit [m ³ /h]	150	185	185	350	350	350	350	2x350	2x350	

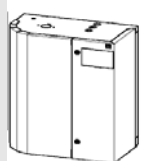
* Other voltages upon request. ** Reducing Piece DN40/DN25 included. *** Current load of phases is not uniform. See table below. **** Outer dimensions of width and depth. Height incl. drain connection. *****Y-piece included *****T-piece included

 HeaterLine HL Double Units				
Type	HL 60	HL 70	HL 80	HL 90
Steam Output [kg/h]	60	72	81	90
consist of:				
HL 30	2x			
HL 36		2x	1x	
HL 45			1x	2x

Max. current load [A] according to phase:

Phase	HL06	HL09	HL12	HL18	HL24	HL27	HL30	HL36	HL45
L1	11,3	16,9	11,3	16,9	22,5	29,3	29,8	33,8	44,7
L2	11,3	16,9	19,5	29,3	39,0	29,3	39,0	58,5	58,5
L3	0,2	0,2	11,3	16,9	22,5	29,3	29,8	33,8	44,7

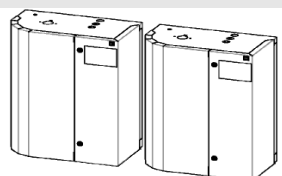
Technical Specifications



HeaterLine HL for SPA HL6..-DS - HL45..-DS

Type	HL6	HL9	HL12	HL18	HL24	HL27	HL30	HL36	HL45
Steam Output [kg/h]	6	9	12	18	24	27	30	36	45
Electrical Supply*	400V/3/N 50-60Hz								
Power Rating [kW]	4,5	6,8	9,0	13,5	18,0	20,3	22,5	27,0	33,8
Power Consumption [A]**	11,3	16,9	19,5	29,3	39,0	29,3	39,0	58,5	58,5
Circuit Protection [A]	3x16	3x20	3x25	3x35	3x40	3x35	3x40	3x63	3x63
Control Type	Basic-DS, Comfort-DS and Comfort Plus-DS								
Number of Steam Cylinder	1								
Number of Heater Elements	1	1	2	2	4	3	5	4	5
Steam Hose Connection	1x40			1x40mm				2x40mm****	
Condensate Hose Connection	1x12mm							2x12mm*****	
Net Weight [kg]	36	36	37	38	40	40	48	48	49
Operating Weight [kg]	51	51	52	53	55	55	78	78	79
Height [mm]***	830						855		
Width [mm]***	645						688		
Depth [mm]***	325						395		
Water Supply HeaterLine	Fully Demineralized Water / Cleaned Condensate / Partially Softened Water / Tap Water (different qualities) 1 to 10 bar (100 x 10 ³ to 100 x 10 ⁴ Pa), 13mm Hose								

* Other voltages upon request. ** Current load of phases is not uniform. See table below. *** Outer dimensions of width and depth. Height incl. drain connection. ****Y-piece included *****T-piece included



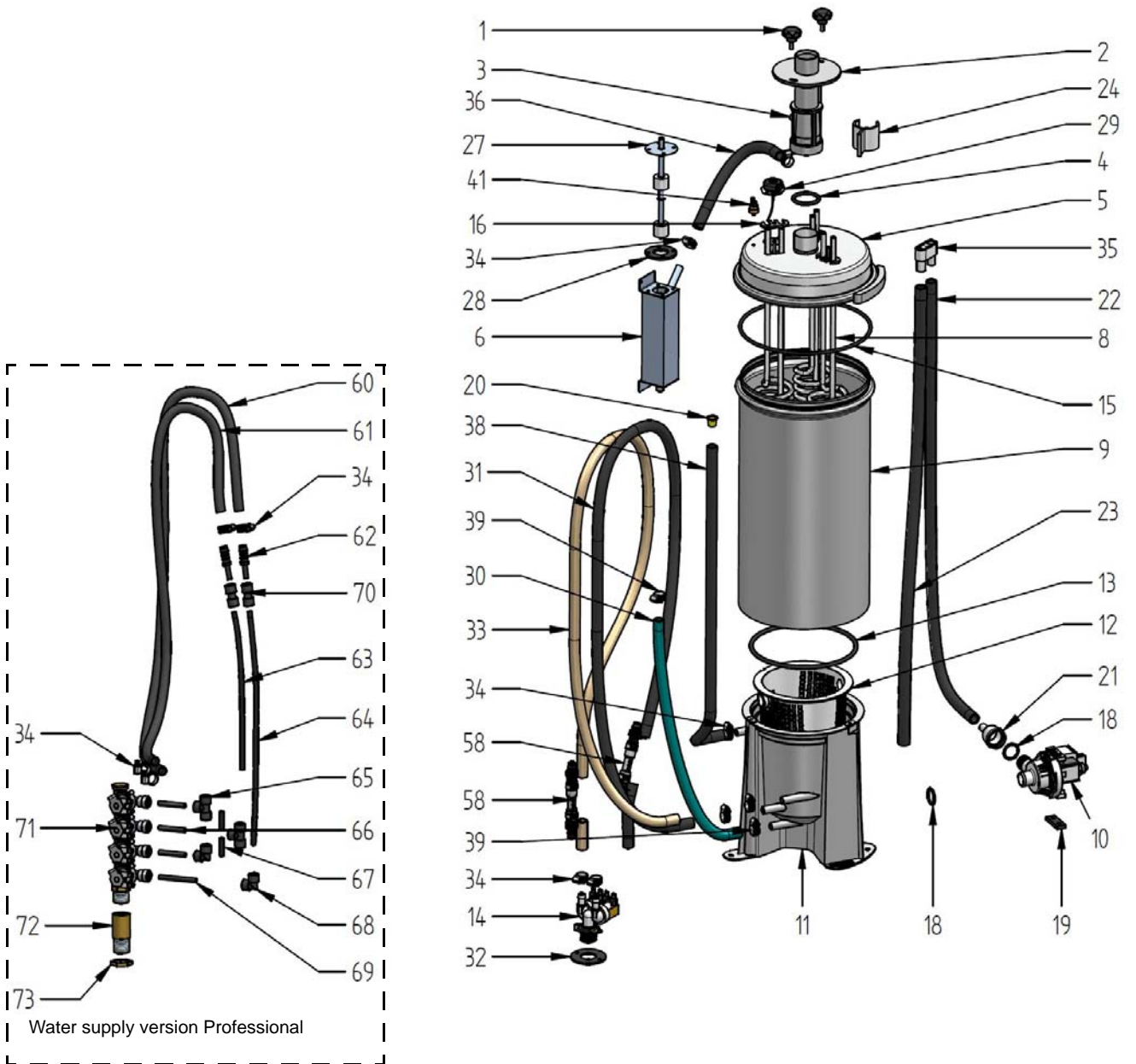
HeaterLine HL Double Units

Type	HL 60	HL 70	HL 80	HL 90
Steam Output [kg/h]	60	72	81	90
consist of:				
HL 30	2x			
HL 36		2x	1x	
HL 45			1x	2x

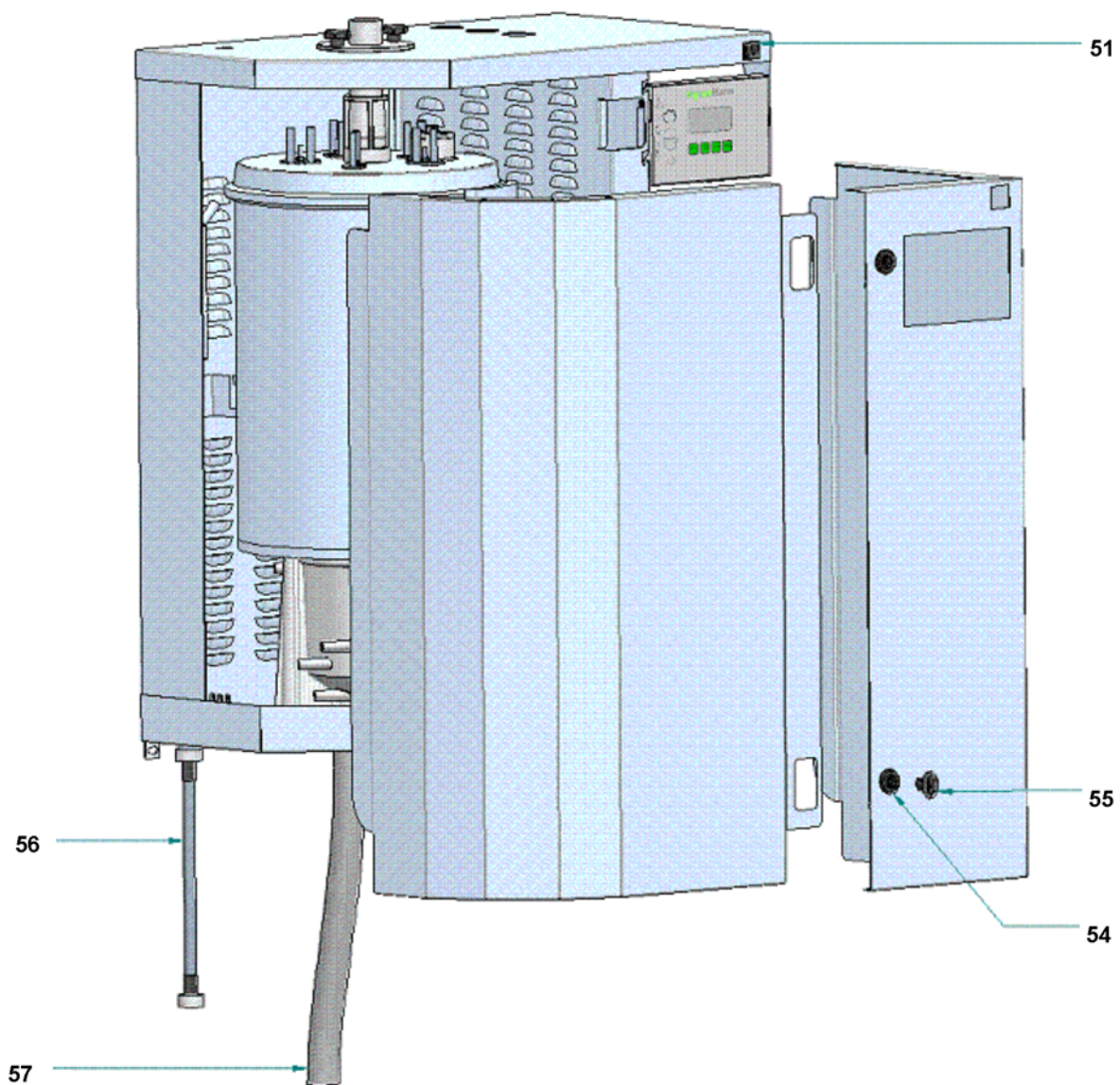
Max. current load [A] according to phase:

Phase	HL06	HL09	HL12	HL18	HL24	HL27	HL30	HL36	HL45
L1	11,3	16,9	11,3	16,9	22,5	29,3	29,8	33,8	44,7
L2	11,3	16,9	19,5	29,3	39,0	29,3	39,0	58,5	58,5
L3	0,2	0,2	11,3	16,9	22,5	29,3	29,8	33,8	44,7

13. Exploded View



14. View of Cabinet





HyGROMATIK®

Lise-Meitner-Str.3 • D-24558 Henstedt-Ulzburg
Phone +49(0)4193/ 895-0 • Fax -33
eMail hy@hygromatik.de • www.hygromatik.com
A member of the **spirax/sarco** Group